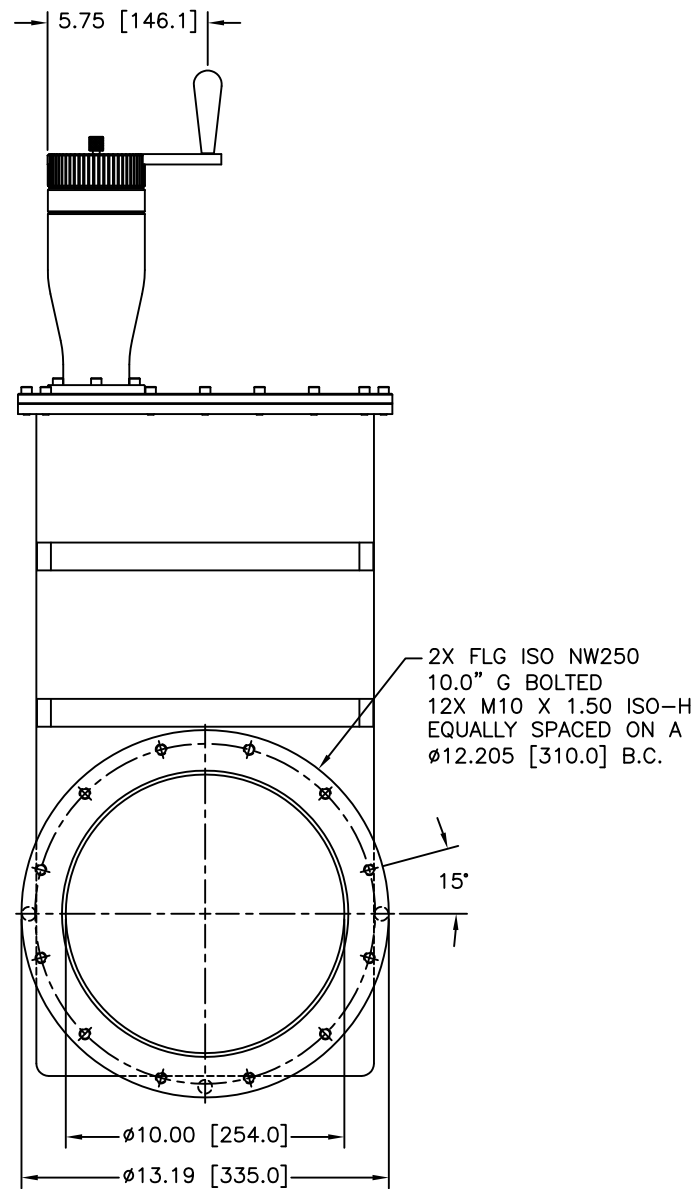
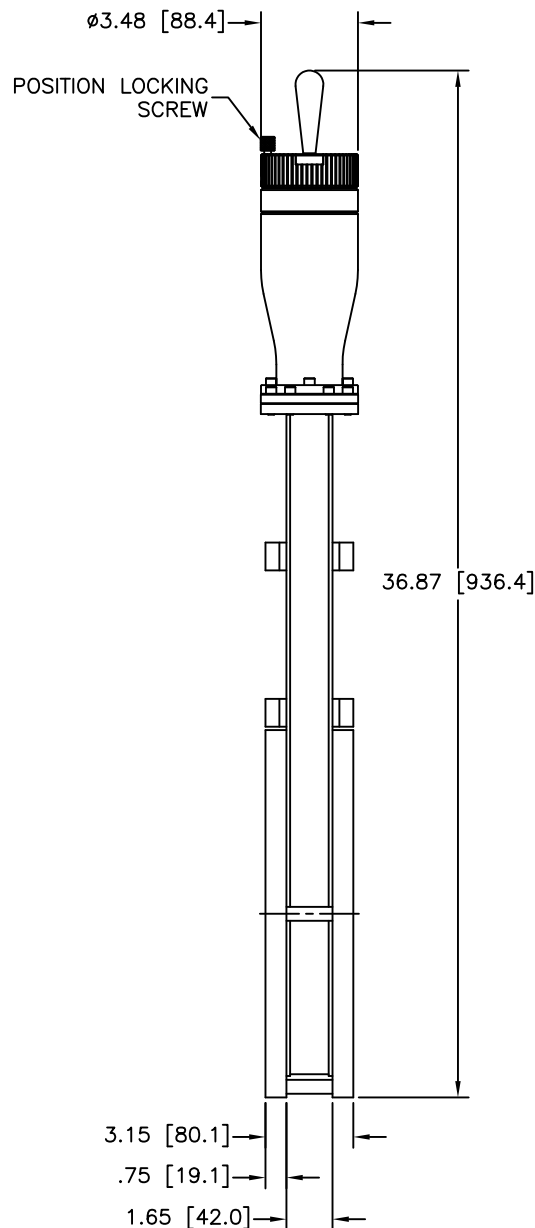


CARRIAGE SIDE



GATE (SEAL) SIDE



12880 MOYA BLVD., RENO, NV 89506

OUTLINE DIMENSION DRAWING

DRAWING NUMBER
5576-3CV

DRAWING TITLE
G 10.0" STD/MAN/ISO BOLTED
MODEL #11110-1003

REVISION
C