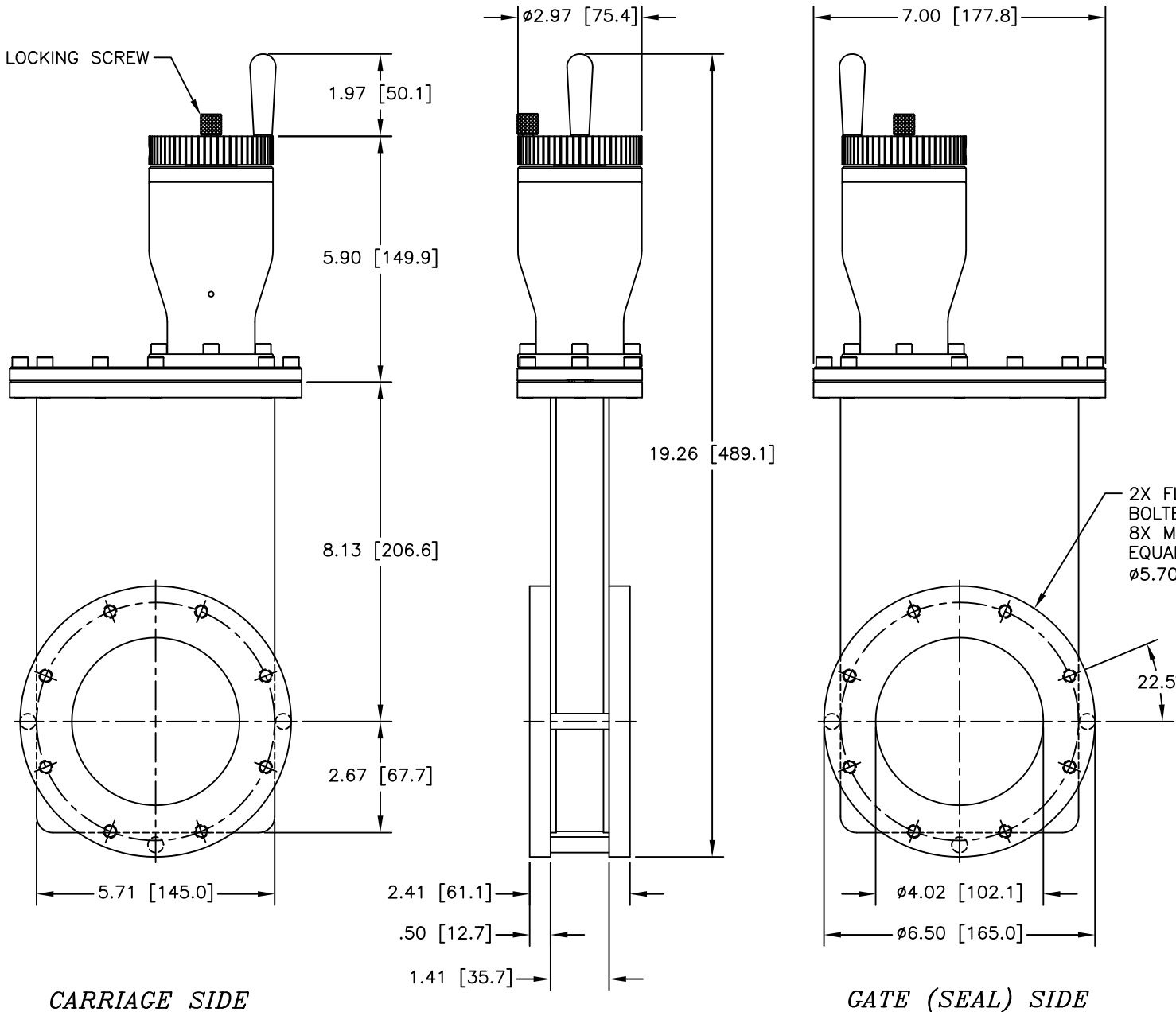


POSITION LOCKING SCREW



CARRIAGE SIDE

GATE (SEAL) SIDE



12880 MOYA BLVD., RENO, NV 89506

OUTLINE DIMENSION DRAWING

DRAWING NUMBER
6256-3DV

DRAWING TITLE
G 4.0" RSTD/MAN/ISO BOLTED
MODEL # 11110-0403

REVISION
D