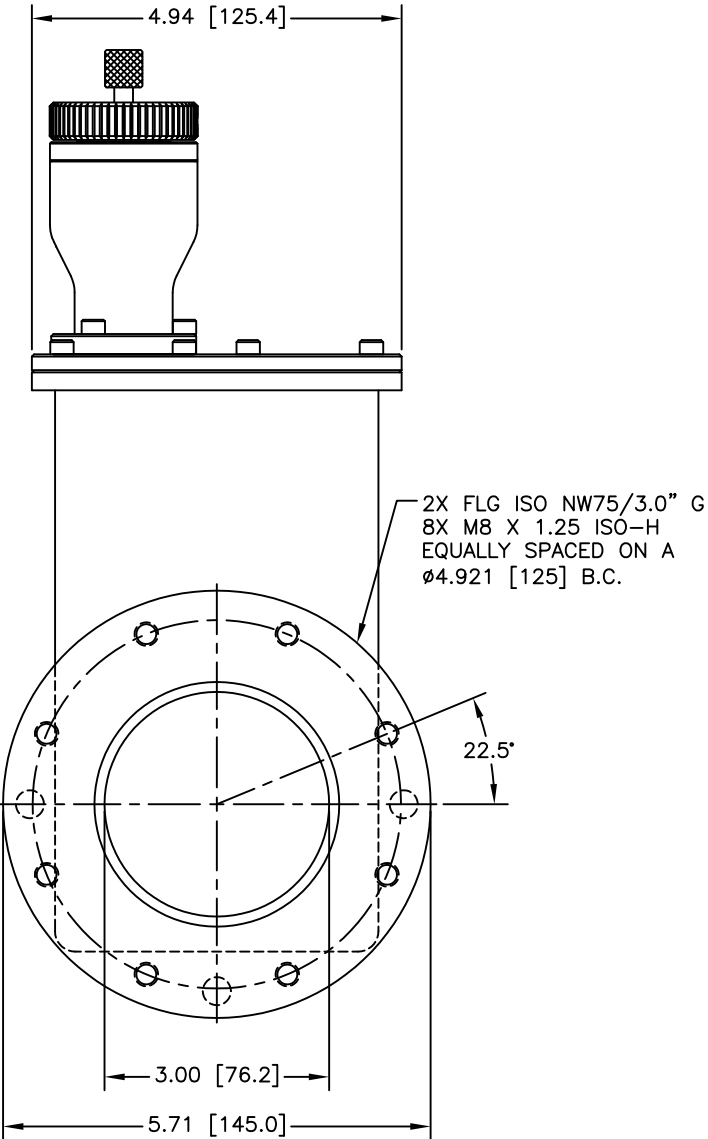
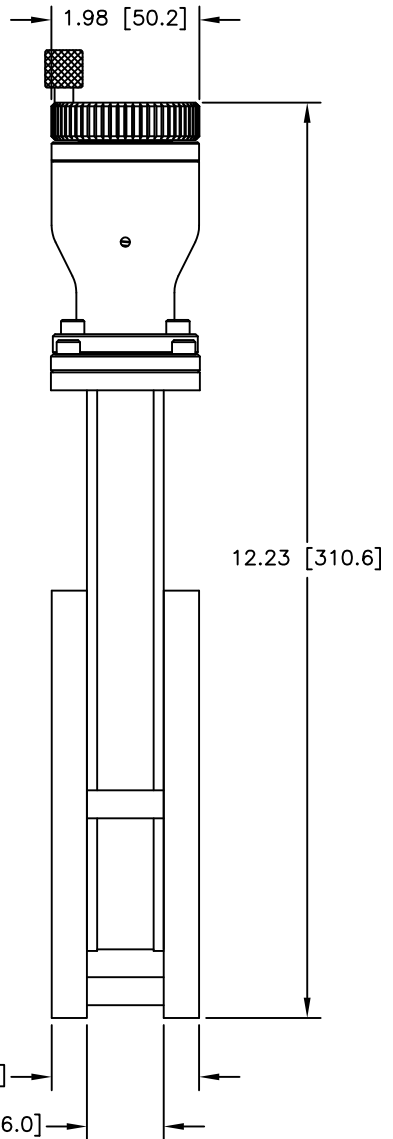


CARRIAGE SIDE



GATE (SEAL) SIDE



12880 MOYA BLVD., RENO, NV 89506

OUTLINE DIMENSION DRAWING

DRAWING NUMBER  
6304-3DV

DRAWING TITLE  
G 3.0" STD/MAN/ISO BOLTED  
MODEL #11110-0303

REVISION  
D