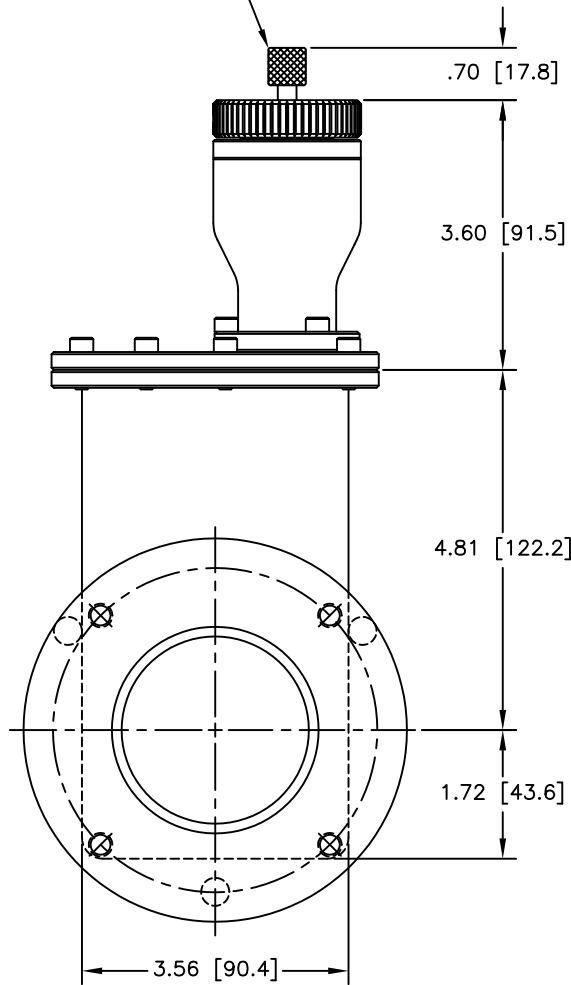
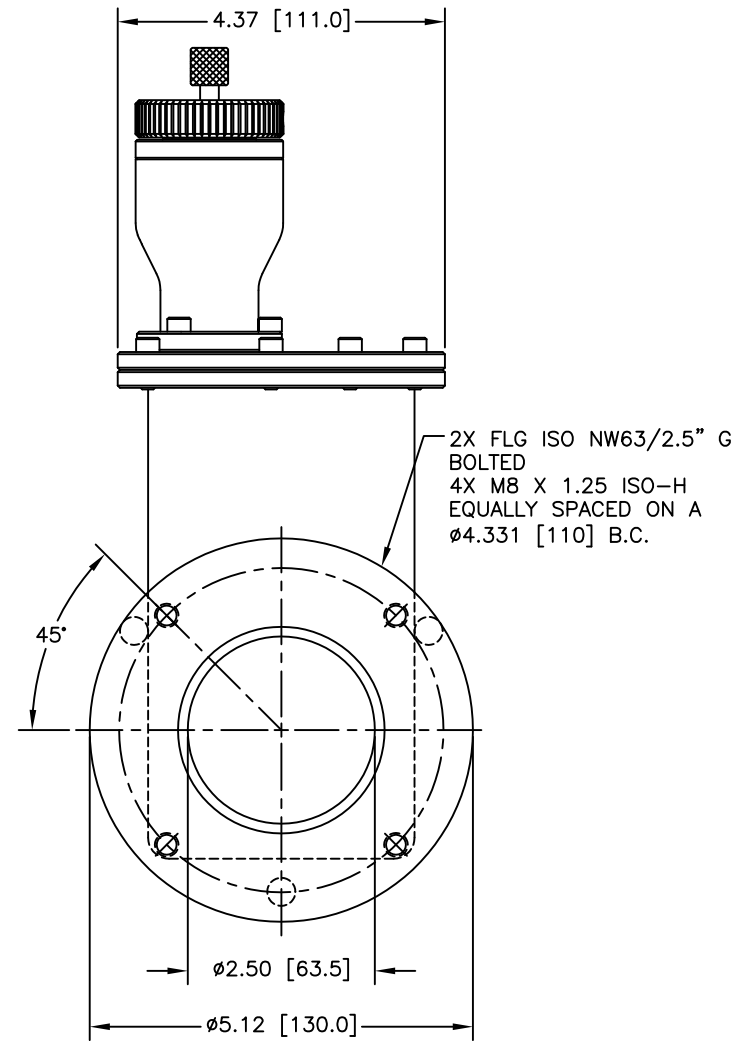
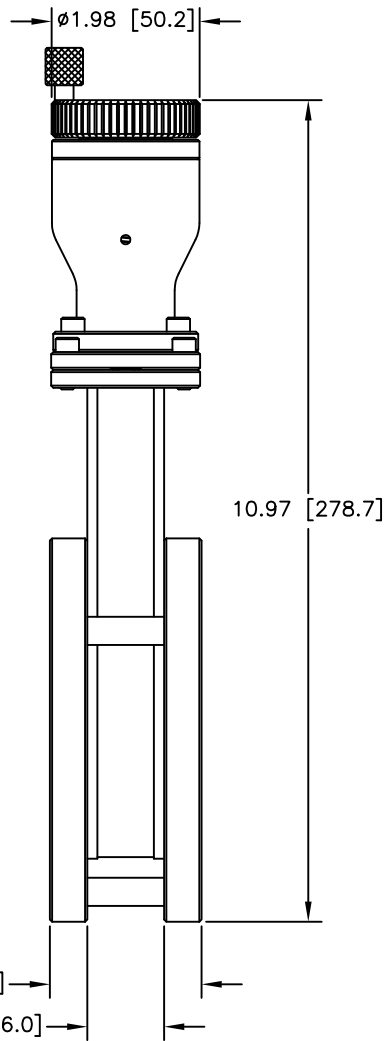


POSITION LOCKING
SCREW



CARRIAGE SIDE



GATE (SEAL) SIDE



12880 MOYA BLVD., RENO, NV 89506

OUTLINE DIMENSION DRAWING

DRAWING NUMBER
6259-3EV

DRAWING TITLE
**G 2.5" STD/MAN/ISO BOLTED
MODEL # 11110-0253**

REVISION
E