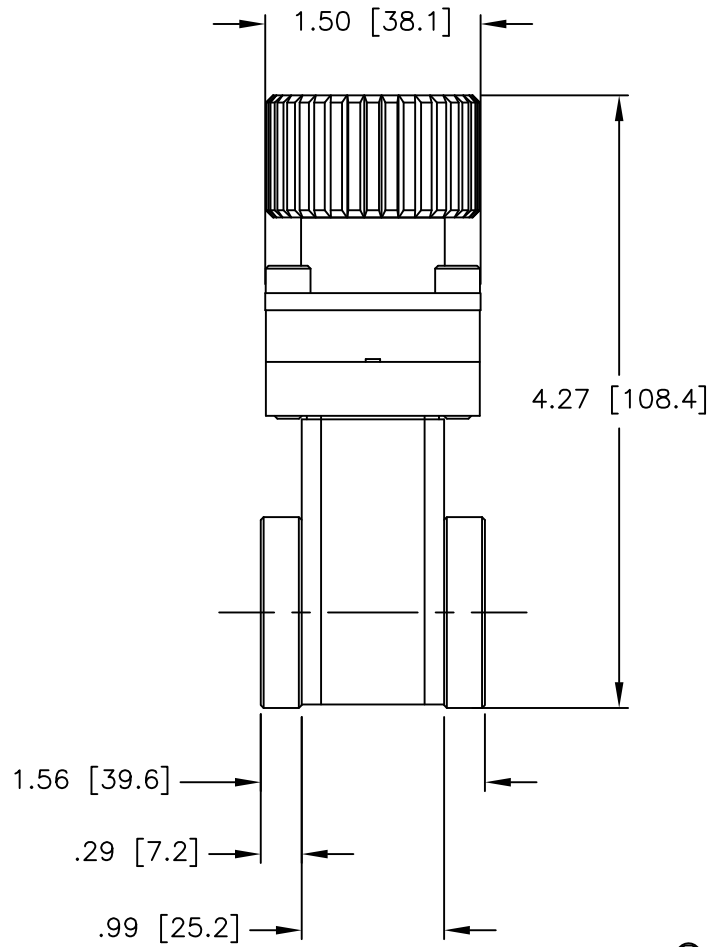
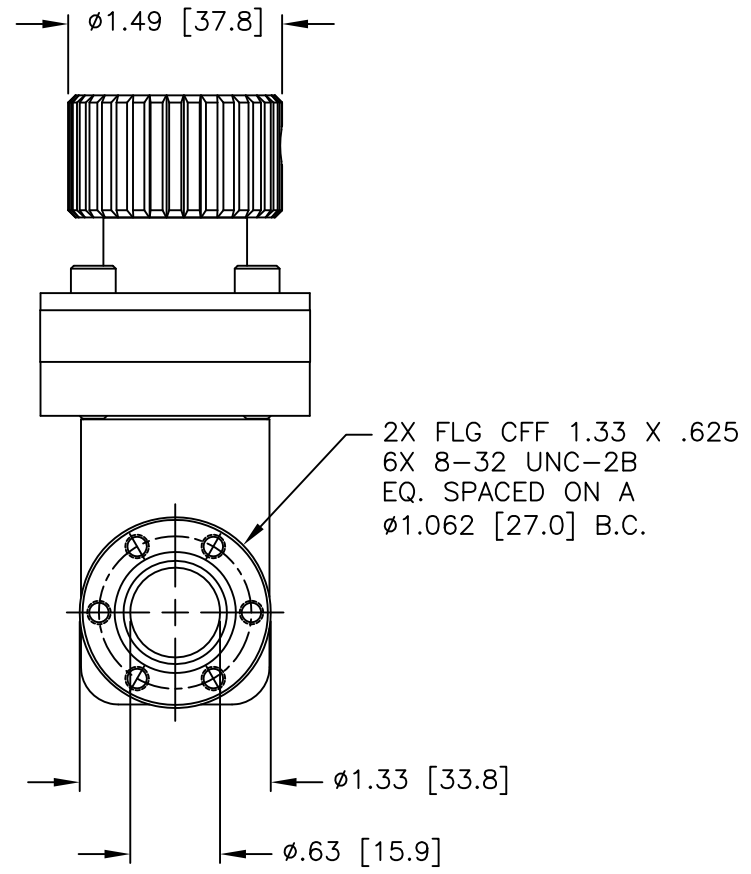


CARRIAGE SIDE



GATE (SEAL) SIDE



OUTLINE DIMENSION DRAWING



DRAWING NUMBER
0261-1BX

DRAWING TITLE
G .625" RSTD/MAN/CFF
MODEL #11110-0060

REVISION
B