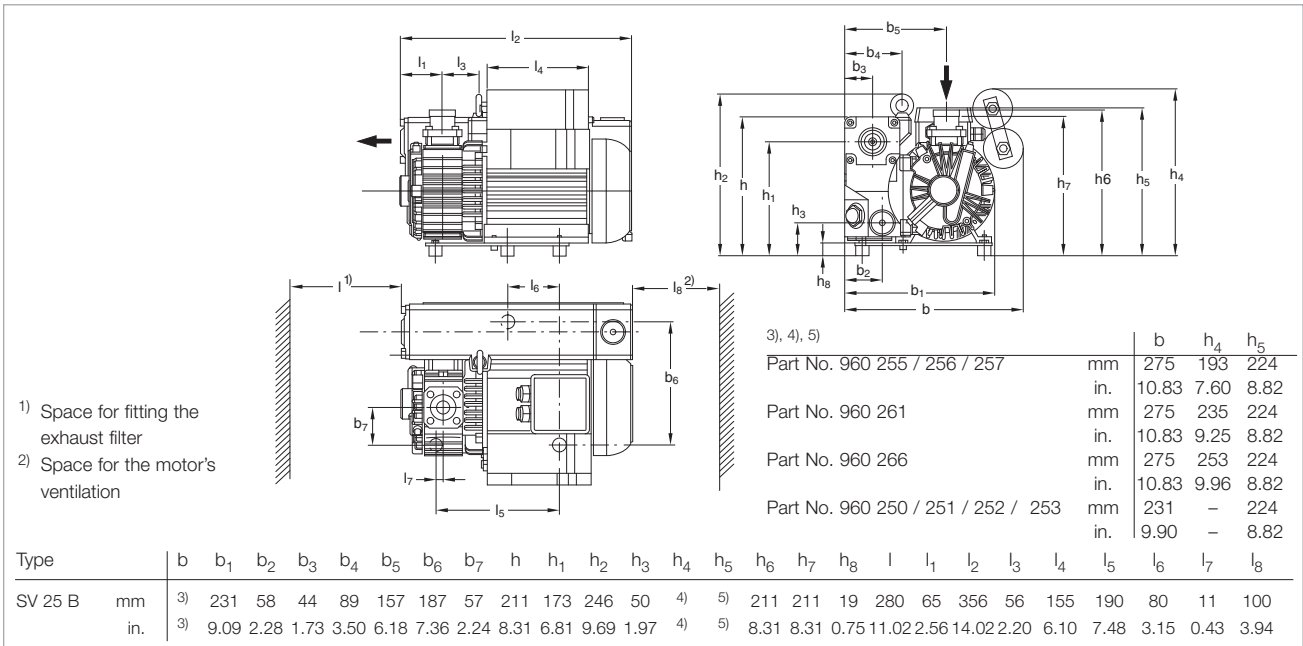


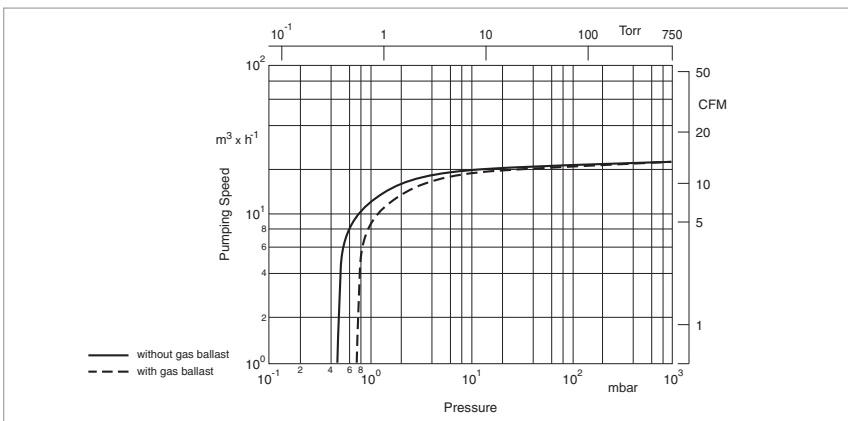
SOGEVAC SV 25 B



SOGEVAC SV 25 B



Dimensional drawing for the SOGEVAC SV 25 B



Pumping speed characteristics of the SOGEVAC SV 25 B at 50 Hz (60 Hz curves at the end of the section)

Technical Data

SOGEVAC SV 25 B

		50 Hz	60 Hz
Nominal speed ¹⁾	m ³ x h ⁻¹ (cfm)	26.0 (15.3)	31.0 (18.3)
Pumping speed ¹⁾	m ³ x h ⁻¹ (cfm)	22.5 (13.3)	25.0 (14.7)
Ultimate partial pressure without gas ballast ¹⁾	mbar (Torr)	≤ 0.5 (≤ 0.4)	≤ 0.5 (≤ 0.4)
Ultimate total pressure with gas ballast ¹⁾	mbar (Torr)	≤ 0.8 (≤ 0.6)	≤ 0.8 (≤ 0.6)
Water vapor tolerance ¹⁾	mbar (Torr)	10.0 (7.5)	10.0 (7.5)
Water vapor tolerance	g x h ⁻¹ (qt/hr)	85 (90)	100 (106)
Oil capacity	l (qt)	0.5 (0.53)	0.5 (0.53)
Noise level ²⁾	dB(A)	64	67
Admissible ambient temperature	°C (°F)	12 to 40 (54 to 104)	12 to 40 (54 to 104)
Motor power	kW (hp)	0.9 (1.2)	1.1 (1.5)
Nominal speed	min ⁻¹ (rpm)	3000 (3000)	3600 (3600)
Type of protection	IP	55-F	55-F
Weight (with oil filling)	kg (lbs)	26 (57.4) [three-phase] 27 (60.0) [single-phase]	26 (57.4) [three-phase] 27 (60.0) [three-phase]
Dimensions (L x W x H)	mm (in.)	356 x 275 x 246 (14.02 x 10.83 x 9.69)	356 x 275 x 246 (14.02 x 10.83 x 9.69)
Connections ³⁾			
Intake ⁴⁾	G or NPT	3/4" + 1/2"	3/4" + 1/2"
Exhaust	G or NPT	3/4"	3/4"

Ordering Information

SOGEVAC SV 25 B 50/60 Hz

SOGEVAC SV 25 B with three-phase motor, without gas ballast 200-240/346-415 V, 50 Hz and 200-277/346-480 V, 60 Hz (CEI)	Part No. 960 250
200-240/346-415 V, 50 Hz and 200-277/346-480 V, 60 Hz (CEI), NPT flanges	Part No. 960 252
with three-phase motor, with gas ballast 200-240/346-415 V, 50 Hz and 200-277/346-480 V, 60 Hz (CEI)	Part No. 960 251
200-240/346-415 V, 50 Hz and 200-277/346-480 V, 60 Hz (CEI), NPT flanges	Part No. 960 253
with single-phase motor, without gas ballast 230 V, 50/60 Hz (CEI)	Part No. 960 255
with single-phase motor, with gas ballast 230 V, 50/60 Hz (CEI)	Part No. 960 256
230 V, 50/60 Hz, NPT flanges (CEI)	Part No. 960 257
110-120 V, 60 Hz	Part No. 960 261
100 V, 50/60 Hz	Part No. 960 266
Other voltages/frequencies ⁵⁾	upon request
Filling with special oil ⁵⁾	upon request
Exhaust filter cartridge AFE SV25B	Part No. 714 16 340
Maintenance kit	Part No. 971 423 450
Repair kit	Part No. 971 423 100
Seal kit FPM (FKM)	Kat.-Nr. 714 19 490

¹⁾ To DIN 28 400 and following numbers

²⁾ Operated at the ultimate pressure without gas ballast, free-field measurement at a distance of 1 m (3.5 ft)

³⁾ Pumps with European and Japanese motors have G,
pumps with NEMA motors have NPT

⁴⁾ 1/2" adapter supplied. Basic port is 3/4"

⁵⁾ Please indicate when ordering a pump