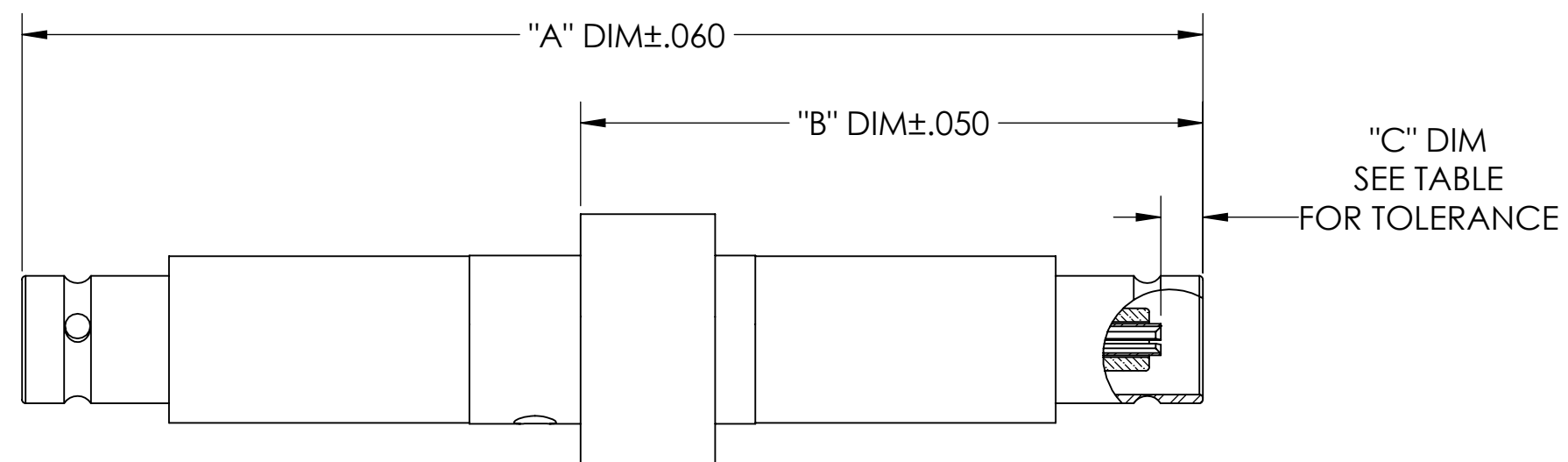
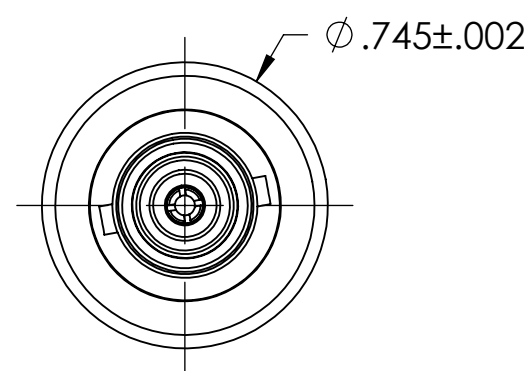
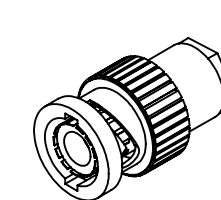


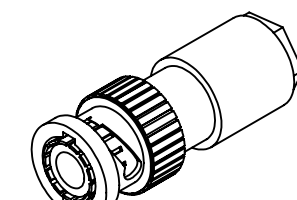
# MPF PRODUCTS INC.



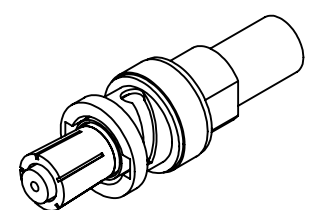
PART #	TYPE	"A" DIM	"B" DIM	"C" DIM	CONNECTOR
A0471-1-W	BNC	3.51	1.85	.150/.105	YES
A0471-2-W	MHV	3.51	1.85	.088/.043	YES
A0471-3-W	SHV	4.05	2.12	.060/.110	YES
A0471-4-W	BNC	3.51	1.85	.150/.105	NO
A0471-5-W	MHV	3.51	1.85	.088/.043	NO
A0471-6-W	SHV	4.05	2.12	.060/.110	NO



BNC



MHV



SHV-5

BNC/MHV/SHV-5 Coaxial Feedthrough, 1 Pin, Grounded Shield, Double-Ended, 0.745" Dia SS Weld Adapter

UNLESS OTHERWISE SPECIFIED: DIMENSIONS ARE IN INCHES TOLERANCES:  ANGULAR: MACH $\pm 1/2^\circ$ TWO PLACE DECIMAL $\pm .030$ THREE PLACE DECIMAL $\pm .015$  MATERIAL  FINISH  PLATING	QUOTATION #		N/A	APPROVED
	DRAWN	WJ	9/11/2015	MPF PRODUCTS INC. TITLE: COAXIAL, BNC/MHV/SHV-5, 1 PIN, GROUNDING SHIELD, DOUBLE-ENDED, WELD  DOWNLOADED FROM MPFPI.COM DWG. NO. <b>A0471</b> REV
CHECKED	WJ	9/11/2015		
ENG APPR.	WJ	9/11/2015		
	THIRD ANGLE:			
	APPLICATION			
	NEXT ASSY	USED ON		
	SURFACE FINISH:		63/ OR BETTER	
	UNLESS OTHERWISE SPECIFIED:		ALL DIAMETERS CONCENTRIC WITHIN .005. REMOVE ALL BURRS AND SHARP EDGES	
			Wednesday, March 14, 2018 7:13:29 AM	