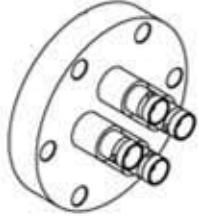
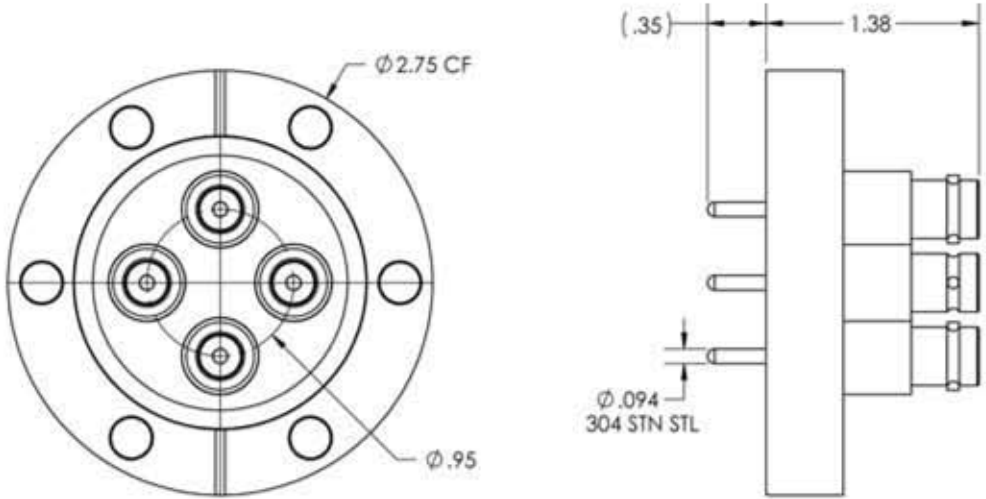


A0296

REV

11/8/2013



PART#	AIRSIDE CONNECTOR
A0296-1-CF	YES
A0296-2-CF	N/A



APPROVED

MHV Coaxial Feedthrough, 4 Pins, Grounded Shield, 2.75" Conflat Flange

TITLE: COAXIAL, MHV, 4 PINS, GROUND SHIELD, 275CF

PROPRIETARY AND CONFIDENTIAL		UNLESS OTHERWISE SPECIFIED:		MPF PRODUCTS INC.				SIZE		DWG. NO.		REV					
<small>ANY REPRODUCTION IN PART OR AS A WHOLE WITHOUT THE WRITTEN PERMISSION OF MPF PRODUCTS INC. IS PROHIBITED.</small>		<small>DIMENSIONS ARE IN INCHES TOLERANCES:</small>				<small>FINISH</small>		<small>DRAWN BY</small>		<small>DATE</small>		A		A0296		<small>11/8/2013</small>	
<small>USED ON:</small>		<small>ANGULAR: MACH: 1/2" TWO PLACE DECIMAL THREE PLACE DECIMAL</small>		<small>±.000 ±.015</small>		CONFLAT		<small>CHECKED</small>		<small>ENG APPR.</small>		<small>LAST SAVED DATE</small>		<small>Friday, November 08, 2013 7:29:37 AM</small>			
						<small>DO NOT SCALE DRAWING</small>											



Engineering Assistance
Custom parts & modifications
Available on all parts

In-House Manufacturing
Manufactured on-site to
our high quality standards

Fast Turnaround
Quick shipping on stock parts
and quick design on custom parts

For Questions or to Order:
1-866-429-4224
MPFPI.com
sales@mpfpi.com