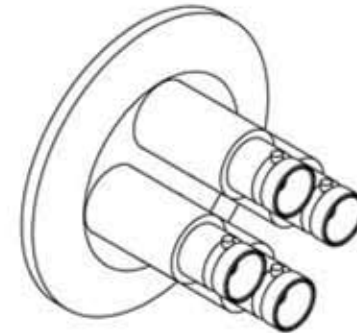
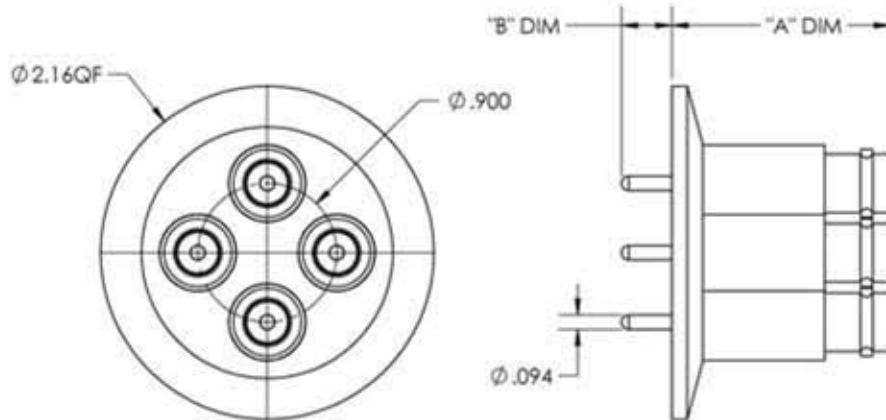


A6984

REV
11/08/2013



PART #	TYPE	"A" DIM	"B" DIM REF	CONNECTOR
A6984-1-QF	BNC	1.43	.30	YES
A6984-2-QF	MHV	1.43	.25	YES
A6984-3-QF	SHV5	1.70	.25	YES
A6984-4-QF	BNC	1.43	.30	N/A
A6984-5-QF	MHV	1.43	.25	N/A
A6984-6-QF	SHV5	1.70	.25	N/A



APPROVED

BNC/MHV/SHV5 Coaxial Feedthrough, 4 Pins, Grounded Shield, 2.16" Quick Flange

TITLE:
**COAXIAL, BNC/MHV/SHV5,
4 PIN, GROUND SHIELD,
QF40**

PROPRIETARY AND CONFIDENTIAL		UNLESS OTHERWISE SPECIFIED:		MPF PRODUCTS INC.			SIZE	DWG. NO.	REV	
ANY REPRODUCTION IN PART OR AS A WHOLE WITHOUT THE WRITTEN PERMISSION OF MPF PRODUCTS INC. IS PROHIBITED.		DIMENSIONS ARE IN INCHES TOLERANCES:			DRAWN BY	JB	DATE	A	A6984	11/08/2013
USED ON:		ANGULAR: MACH: 1/2" TWO PLACE DECIMAL THREE PLACE DECIMAL			CHECKED					
				DO NOT SCALE DRAWING	ENG APPR.	JB	LAST SAVED DATE	Friday, November 08, 2013 9:05:12 AM		