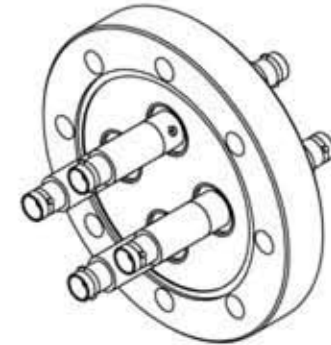
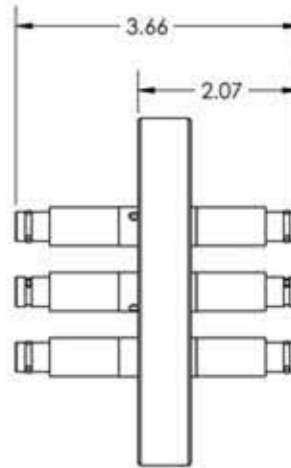
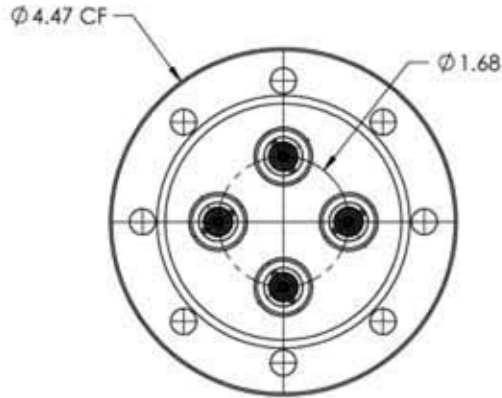


A7231

REV

11/8/2013



PART#	AIRSIDE CONNECTOR
A7231-1-CF	YES
A7231-2-CF	N/A

APPROVED

BNC Coaxial Feedthrough, 4 Pins, Grounded Shield, Double-Ended, 4.50" Conflat Flange

TITLE: COAXIAL, BNC, 4 PIN, GROUNDED SHIELD, DOUBLE-ENDED, 450CF

PROPRIETARY AND CONFIDENTIAL UNLESS OTHERWISE SPECIFIED: MPF PRODUCTS INC.		SIZE DWG. NO. REV	
ANY REPRODUCTION IN PART OR AS A WHOLE WITHOUT THE WRITTEN PERMISSION OF MPF PRODUCTS INC. IS PROHIBITED. USED ON:	DIMENSIONS ARE IN INCHES TOLERANCES: ANGULAR: MACH ± 1/2 ° TWO PLACE DECIMAL THREE PLACE DECIMAL	FINISH CONFLAT	DRAWN BY JB DATE
		DO NOT SCALE DRAWING	CHECKED ENG APPR. JB
		A	A7231
		LAST SAVED DATE	Thursday, November 07, 2013 10:29:41 AM