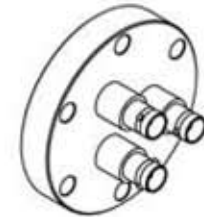
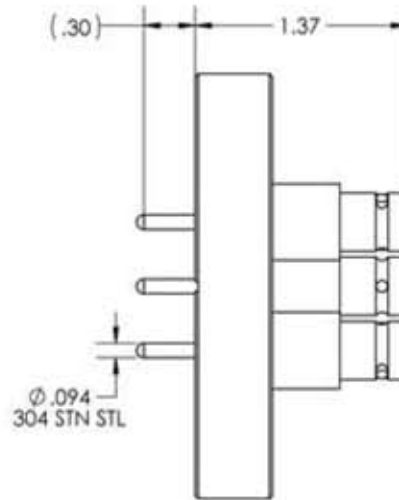
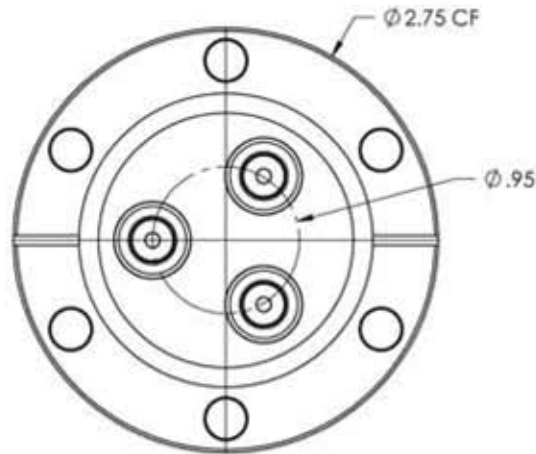


A0294

REV
11/8/2013



PART#	AIRSIDE CONNECTOR
A0294-1-CF	YES
A0294-2-CF	N/A



APPROVED

MHV Coaxial Feedthrough, 3 Pins, Grounded Shield, 2.75" Conflat Flange

TITLE: COAXIAL, MHV, 3 PINS,
GROUNDED SHIELD,
275CF

PROPRIETARY AND CONFIDENTIAL UNLESS OTHERWISE SPECIFIED: MPF PRODUCTS INC.				SIZE A	DWG. NO. A0294	REV 11/8/2013
ANY REPRODUCTION IN PART OR AS A WHOLE WITHOUT THE WRITTEN PERMISSION OF MPF PRODUCTS INC. IS PROHIBITED.	DIMENSIONS ARE IN INCHES TOLERANCES: ANGULAR: MACH: 1/2" TWO PLACE DECIMAL THREE PLACE DECIMAL	FINISH CONFLAT	DRAWN BY JB	DATE	LAST SAVED DATE Friday, November 08, 2013 7:31:45 AM	USED ON:
		DO NOT SCALE DRAWING	CHECKED ENG APPR.	DATE JB		



Engineering Assistance
Custom parts & modifications
Available on all parts

In-House Manufacturing
Manufactured on-site to
our high quality standards

Fast Turnaround
Quick shipping on stock parts
and quick design on custom parts

For Questions or to Order:
1-866-429-4224
MPFPI.com
sales@mpfpi.com