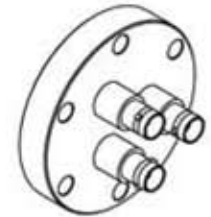
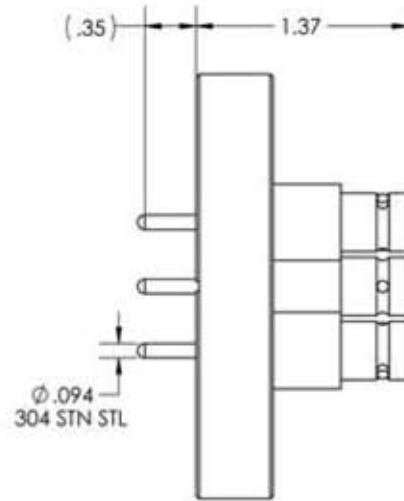
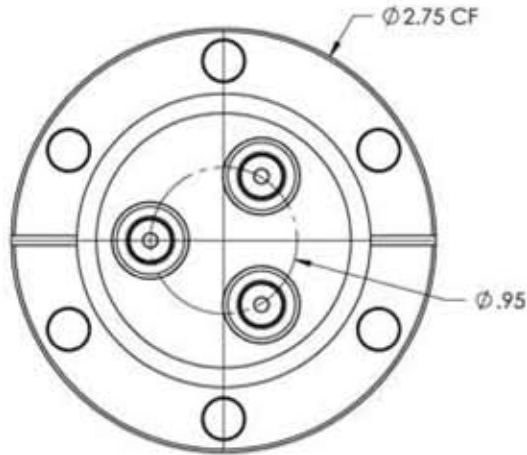


A0293

REV

11/08/2013



PART#	AIRSIDE CONNECTOR
A0293-1-CF	YES
A0293-2-CF	N/A



APPROVED

**BNC Coaxial Feedthrough, 3 Pins, Grounded Shield, 2.75" Conflat Flange**

TITLE: **COAXIAL, BNC, 3 PINS, GROUND SHIELD, 275CF**

<b>PROPRIETARY AND CONFIDENTIAL</b>		<b>UNLESS OTHERWISE SPECIFIED:</b>		<b>MPF PRODUCTS INC.</b>				
ANY REPRODUCTION IN PART OR AS A WHOLE WITHOUT THE WRITTEN PERMISSION OF MPF PRODUCTS INC. IS PROHIBITED.		DIMENSIONS ARE IN INCHES TOLERANCES:			FINISH	DRAWN BY	JB	DATE
USED ON:		ANGULAR: MACH ± 1/2 ° TWO PLACE DECIMAL THREE PLACE DECIMAL			CONFLAT	CHECKED		
				±.030 ±.015	DO NOT SCALE DRAWING	ENG APPR.	JB	
					SIZE	DWG. NO.		REV
					<b>A</b>	<b>A0293</b>		11/08/2013
					LAST SAVED DATE	Friday, November 08, 2013 7:32:25 AM		



Engineering Assistance  
Custom parts & modifications  
Available on all parts

In-House Manufacturing  
Manufactured on-site to  
our high quality standards

Fast Turnaround  
Quick shipping on stock parts  
and quick design on custom parts

For Questions or to Order:

1-866-429-4224  
MPFPI.com  
sales@mpfpi.com