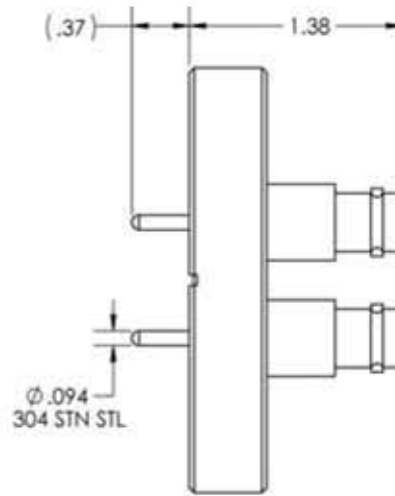
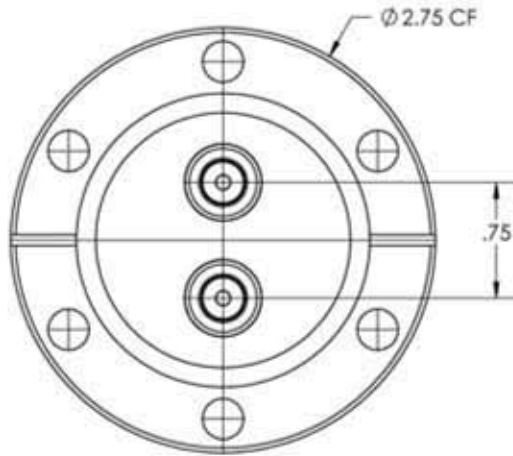


A0292

REV
11/08/2013



PART#	AIRSIDE CONNECTOR
A0292-1-CF	YES
A0292-2-CF	N/A



APPROVED

MHV Coaxial Feedthrough, 2 Pins, Grounded Shield, 2.75" Conflat Flange

TITLE: COAXIAL, MHV, 2 PINS, GROUND SHIELD, 275CF

PROPRIETARY AND CONFIDENTIAL		UNLESS OTHERWISE SPECIFIED:		MPF PRODUCTS INC.							
ANY REPRODUCTION IN PART OR AS A WHOLE WITHOUT THE WRITTEN PERMISSION OF MPF PRODUCTS INC. IS PROHIBITED.		DIMENSIONS ARE IN INCHES TOLERANCES:			FINISH	DRAWN BY	JB	DATE	SIZE	DWG. NO.	REV
USED ON:		ANGULAR: MACH: 1/3" TWO PLACE DECIMAL THREE PLACE DECIMAL			CONFLAT	CHECKED			A	A0292	11/08/2013
				DO NOT SCALE DRAWING	ENG APPR.	JB			LAST SAVED DATE	Friday, November 08, 2013 7:33:02 AM	



Engineering Assistance
Custom parts & modifications
Available on all parts

In-House Manufacturing
Manufactured on-site to
our high quality standards

Fast Turnaround
Quick shipping on stock parts
and quick design on custom parts

For Questions or to Order:

1-866-429-4224
MPFPi.com
sales@mpfpi.com