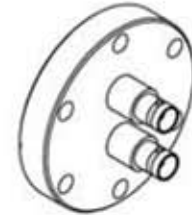
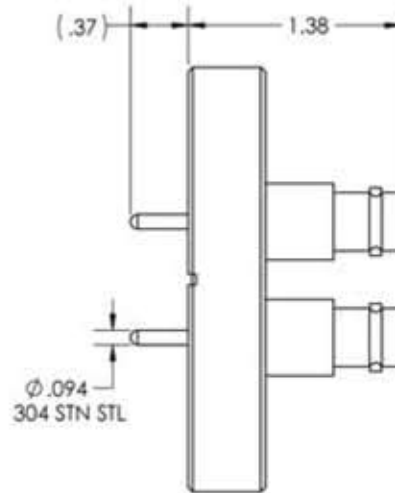
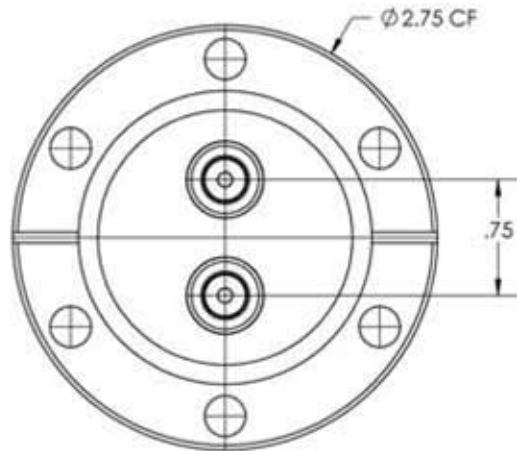


A0291

REV

11/8/2013



PART#	AIRSIDE CONNECTOR
A0291-1-CF	YES
A0291-2-CF	N/A



APPROVED

BNC Coaxial Feedthrough, 2 Pins, Grounded Shield, 2.75" Conflat Flange

TITLE: COAXIAL, BNC, 2 PINS,
GROUNDED SHIELD,
275CF

PROPRIETARY AND CONFIDENTIAL		UNLESS OTHERWISE SPECIFIED:		MPF PRODUCTS INC.							
ANY REPRODUCTION IN PART OR AS A WHOLE WITHOUT THE WRITTEN PERMISSION OF MPF PRODUCTS INC. IS PROHIBITED.		DIMENSIONS ARE IN INCHES TOLERANCES:			FINISH	DRAWN BY	JB	DATE	SIZE	DWG. NO.	REV
USED ON:		ANGULAR: MACH: 1/2" TWO PLACE DECIMAL THREE PLACE DECIMAL			CONFLAT	CHECKED			A	A0291	11/8/2013
				DO NOT SCALE DRAWING	ENG APPR.	JB		LAST SAVED DATE	Thursday, November 07, 2013 10:25:43 AM		



Engineering Assistance
Custom parts & modifications
Available on all parts

In-House Manufacturing
Manufactured on-site to
our high quality standards

Fast Turnaround
Quick shipping on stock parts
and quick design on custom parts

For Questions or to Order:

1-866-429-4224
MPFPI.com
sales@mpfpi.com