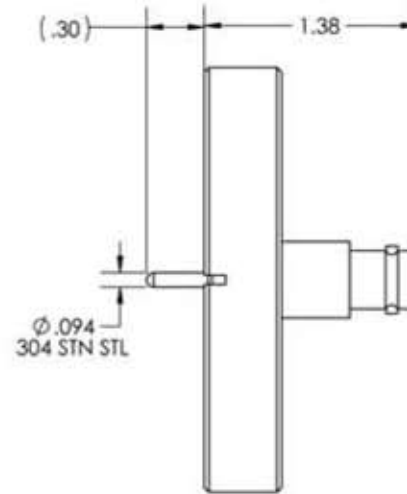
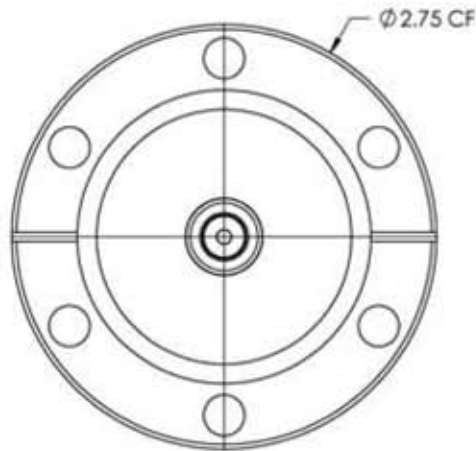


A0290

REV

11/7/2013




PART#	AIRSIDE CONNECTOR
A0290-1-CF	YES
A0290-2-CF	N/A



APPROVED

MHV Coaxial Feedthrough, 1 Pin, Grounded Shield, 2.75" Conflat Flange

TITLE: COAXIAL, MHV, 1 PIN,  
GROUNDED SHIELD,  
275CF

<b>PROPRIETARY AND CONFIDENTIAL</b>		<b>UNLESS OTHERWISE SPECIFIED:</b>		<b>MPF PRODUCTS INC.</b>						
ANY REPRODUCTION IN PART OR AS A WHOLE WITHOUT THE WRITTEN PERMISSION OF MPF PRODUCTS INC. IS PROHIBITED.		DIMENSIONS ARE IN INCHES TOLERANCES:		 FINISH <b>CONFLAT</b>	DRAWN BY	JB	DATE	SIZE <b>A</b>	DWG. NO. <b>A0290</b>	REV 11/7/2013
USED ON:		ANGULAR: MACH ± 1/2 ° TWO PLACE DECIMAL THREE PLACE DECIMAL			CHECKED					
		±.000 ±.015		DO NOT SCALE DRAWING	ENG APPR.	JB				