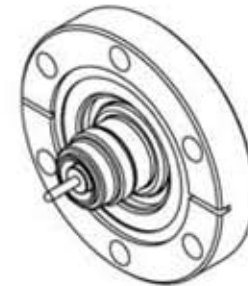
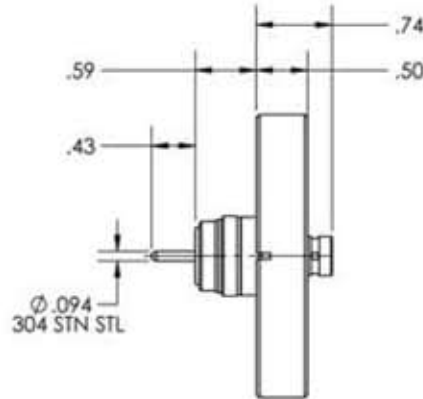
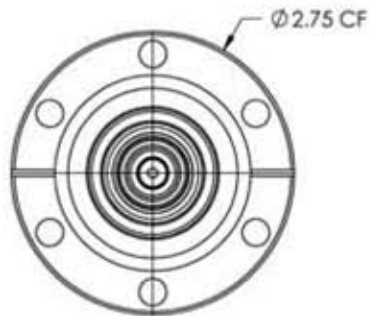


A0305

REV

11/8/2013



PART#	AIRSIDE CONNECTOR
A0305-1-CF	YES
A0305-2-CF	N/A



APPROVED

MHV Coaxial Feedthrough, 1 Pin, Floating Shield, 2.75" Conflat Flange

TITLE: COAXIAL, MHV, 1 PIN, FLOATING SHIELD, 275CF

PROPRIETARY AND CONFIDENTIAL		UNLESS OTHERWISE SPECIFIED:		MPF PRODUCTS INC.				SIZE		DWG. NO.		REV					
<small>ANY REPRODUCTION IN PART OR AS A WHOLE WITHOUT THE WRITTEN PERMISSION OF MPF PRODUCTS INC. IS PROHIBITED.</small>		<small>DIMENSIONS ARE IN INCHES TOLERANCES:</small>				<small>FINISH</small> CONFLAT		<small>DRAWN BY</small> JB		<small>DATE</small>		A		A0305		<small>11/8/2013</small>	
<small>USED ON:</small>		<small>ANGULAR: MACH ± 1/2 °</small> <small>TWO PLACE DECIMAL</small> <small>THREE PLACE DECIMAL</small>		<small>± .030</small> <small>± .015</small>		<small>DO NOT SCALE DRAWING</small>		<small>CHECKED</small>		<small>ENG APPR.</small>		<small>JB</small>		<small>LAST SAVED DATE</small>		<small>Thursday, November 07, 2013 10:46:01 AM</small>	



Engineering Assistance
Custom parts & modifications
Available on all parts

In-House Manufacturing
Manufactured on-site to
our high quality standards

Fast Turnaround
Quick shipping on stock parts
and quick design on custom parts

For Questions or to Order:

1-866-429-4224
MPFPI.com
sales@mpfpi.com