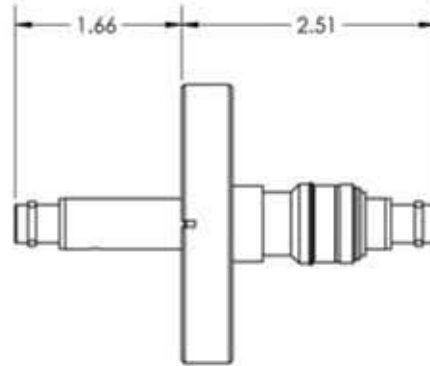
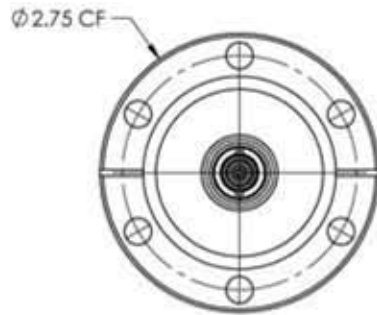


A0475

REV  
11/06/2013



PART #	TYPE	AIRSIDE CONNECTOR
A0475-1-CF	BNC	YES
A0475-2-CF	MHV	YES
A0475-3-CF	BNC	N/A
A0475-4-CF	MHV	N/A



MHV

BNC

APPROVED

BNC/MHV Coaxial Feedthrough, 1 Pin, Floating Shield, Double-Ended, 2.75" Conflat Flange

TITLE: COAXIAL, BNC/MHV,  
1 PIN, FLOATING SHIELD,  
DOUBLE-ENDED, 275CF

PROPRIETARY AND CONFIDENTIAL		UNLESS OTHERWISE SPECIFIED:		MPF PRODUCTS INC.			SIZE	DWG. NO.	REV
ANY REPRODUCTION IN PART OR AS A WHOLE WITHOUT THE WRITTEN PERMISSION OF MPF PRODUCTS INC. IS PROHIBITED.		DIMENSIONS ARE IN INCHES TOLERANCES:			FINISH	DRAWN BY	DATE	A	A0475
USED ON:		ANGULAR: MACH: 1/2" TWO PLACE DECIMAL THREE PLACE DECIMAL			CONFLAT	CHECKED			
				DO NOT SCALE DRAWING	ENG APPR.				11/06/2013
							LAST SAVED DATE	Thursday, November 07, 2013 10:38:14 AM	