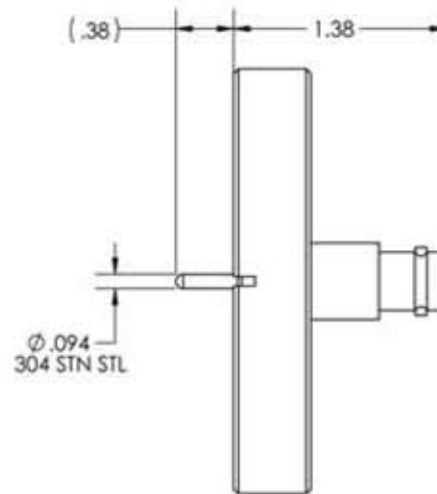
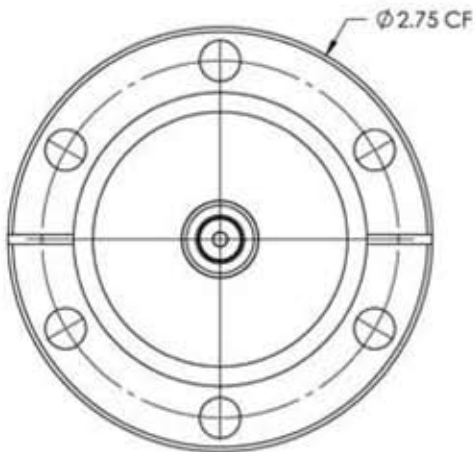


A0289

REV

11/7/2013




APPROVED

PART#	AIRSIDE CONNECTOR
A0289-1-CF	YES
A0289-2-CF	N/A

BNC Coaxial Feedthrough, 1 Pin, Grounded Shield, 2.75" Conflat Flange

TITLE: COAXIAL, BNC, 1 PIN,
GROUNDED SHIELD,
275CF

PROPRIETARY AND CONFIDENTIAL		UNLESS OTHERWISE SPECIFIED:		MPF PRODUCTS INC.							
ANY REPRODUCTION IN PART OR AS A WHOLE WITHOUT THE WRITTEN PERMISSION OF MPF PRODUCTS INC. IS PROHIBITED.		DIMENSIONS ARE IN INCHES TOLERANCES:			FINISH	DRAWN BY	JB	DATE	SIZE	DWG. NO.	REV
USED ON:		ANGULAR: MACH ± 1/2 ° TWO PLACE DECIMAL THREE PLACE DECIMAL			CONFLAT	CHECKED			A	A0289	11/7/2013
		± .030 ± .015		DO NOT SCALE DRAWING	ENG APPR.	JB		LAST SAVED DATE	Thursday, November 07, 2013 2:52:57 PM		