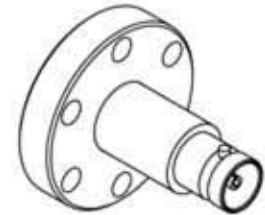
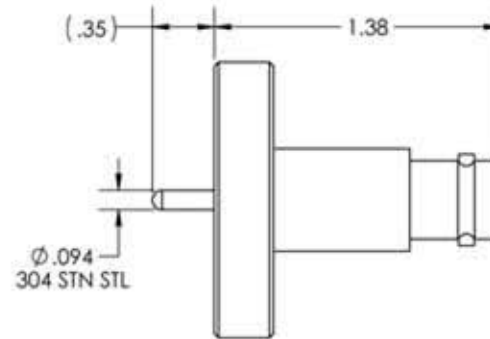
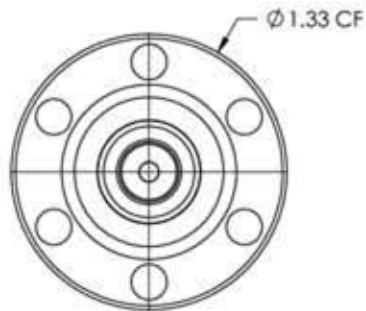


A0237

REV

11/7/2013



PART#	AIRSIDE CONNECTOR
A0237-1-CF	YES
A0237-2-CF	N/A



APPROVED

BNC Coaxial Feedthrough, 1 Pin, Grounded Shield, 1.33" Conflat Flange

TITLE: COAXIAL, BNC, 1 PIN,
GROUNDED SHIELD,
133CF

PROPRIETARY AND CONFIDENTIAL		UNLESS OTHERWISE SPECIFIED:		MPF PRODUCTS INC.			SIZE		DWG. NO.		REV
<small>ANY REPRODUCTION IN PART OR AS A WHOLE WITHOUT THE WRITTEN PERMISSION OF MPF PRODUCTS INC. IS PROHIBITED.</small>		<small>DIMENSIONS ARE IN INCHES TOLERANCES:</small>			<small>DRAWN BY</small>	<small>JB</small>	<small>DATE</small>	A	A0237		<small>11/7/2013</small>
<small>USED ON:</small>		<small>ANGULAR: MACH ± 1/2 ° TWO PLACE DECIMAL THREE PLACE DECIMAL</small>		<small>±.030 ±.015</small>	<small>DO NOT SCALE DRAWING</small>	<small>ENG APPR.</small>	<small>JB</small>	<small>LAST SAVED DATE</small>	<small>Thursday, November 07, 2013 2:55:06 PM</small>		