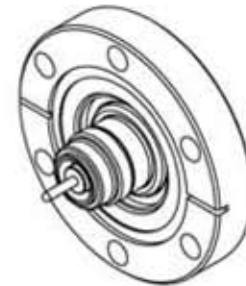
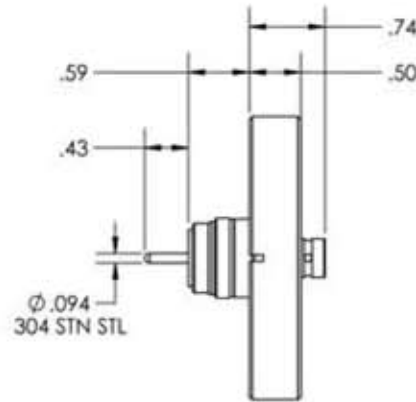
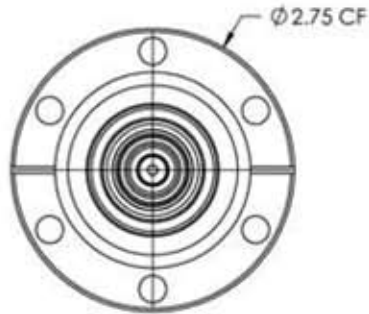


A0304

REV

11/8/2013



PART#	AIRSIDE CONNECTOR
A0304-1-CF	YES
A0304-2-CF	N/A



APPROVED

BNC Coaxial Feedthrough, 1 Pin, Floating Shield, 2.75" Conflat Flange

TITLE: COAXIAL, BNC, 1 PIN, FLOATING SHIELD, 275CF

PROPRIETARY AND CONFIDENTIAL UNLESS OTHERWISE SPECIFIED: MPF PRODUCTS INC.		SIZE DWG. NO. REV		
ANY REPRODUCTION IN PART OR AS A WHOLE WITHOUT THE WRITTEN PERMISSION OF MPF PRODUCTS INC. IS PROHIBITED. USED ON:	DIMENSIONS ARE IN INCHES TOLERANCES: ANGULAR: MACH ± 1/2 ° TWO PLACE DECIMAL THREE PLACE DECIMAL		FINISH CONFLAT	DRAWN BY JB DATE
			DO NOT SCALE DRAWING	CHECKED ENG APPR. JB
		LAST SAVED DATE Thursday, November 07, 2013 10:40:07 AM		



Engineering Assistance
Custom parts & modifications
Available on all parts

In-House Manufacturing
Manufactured on-site to
our high quality standards

Fast Turnaround
Quick shipping on stock parts
and quick design on custom parts

For Questions or to Order:
1-866-429-4224
MPFPI.com
sales@mpfpi.com