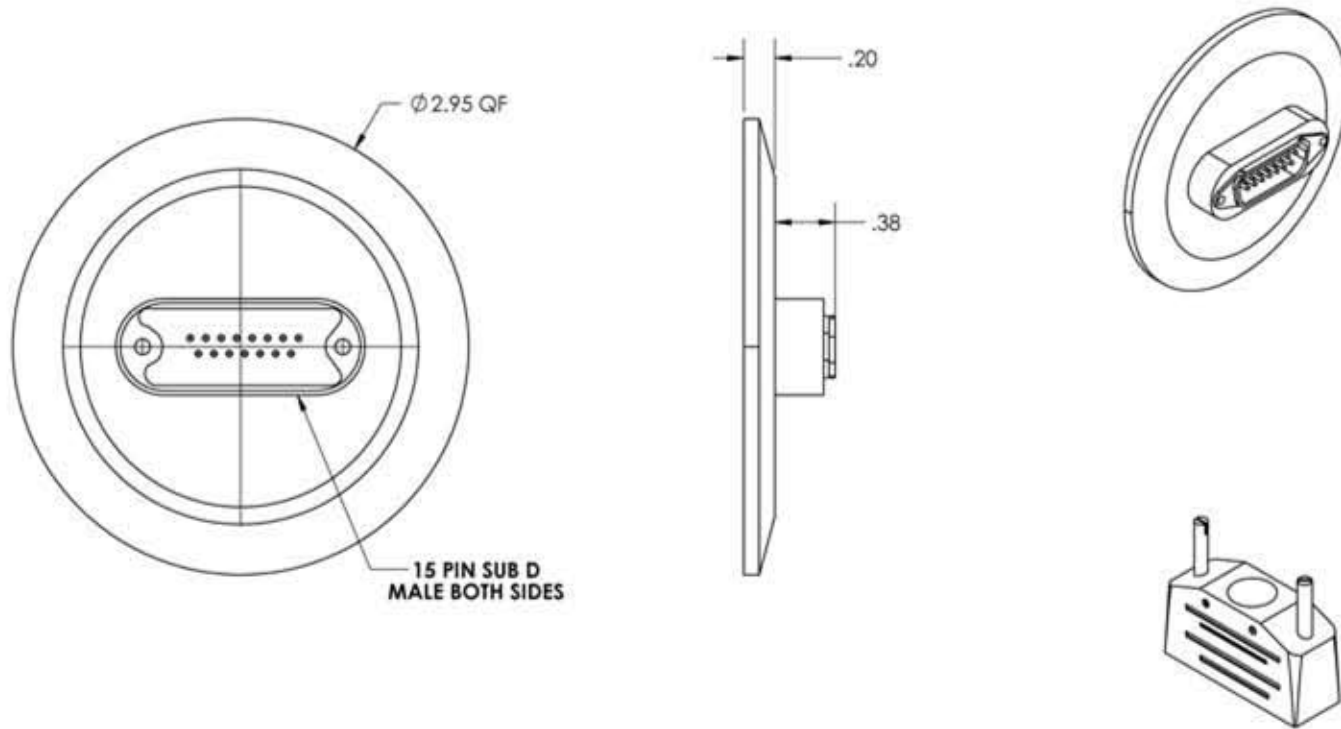


A1529-2-QF REV
5/2/2013



APPROVED

Subminiature D-type Multipin Feedthrough, 15 Pins, 500 Volts, 5 Amps per Pin, 2.95" Quick Flange

TITLE:
MULTIPIN, TYPE-D, 500V, 5A, 15 PIN, QF50

PROPRIETARY AND CONFIDENTIAL		UNLESS OTHERWISE SPECIFIED:		MPF PRODUCTS INC.				SIZE	DWG. NO.	REV
ANY REPRODUCTION IN PART OR AS A WHOLE WITHOUT THE WRITTEN PERMISSION OF MPF PRODUCTS INC. IS PROHIBITED.		DIMENSIONS ARE IN INCHES TOLERANCES:		FINISH QUICK FLANGE	DRAWN BY	JB	DATE	A	A1529-2-QF	5/2/2013
USED ON:		ANGULAR: MACH: 1/2" TWO PLACE DECIMAL THREE PLACE DECIMAL			CHECKED					
		±.030 +.015		DO NOT SCALE DRAWING	ENG APPR.	JB				