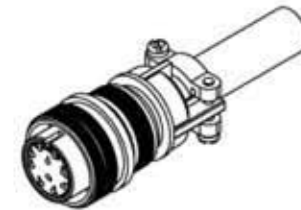
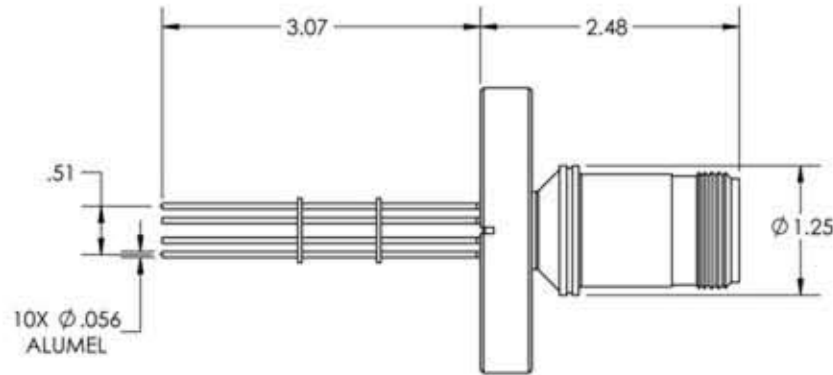
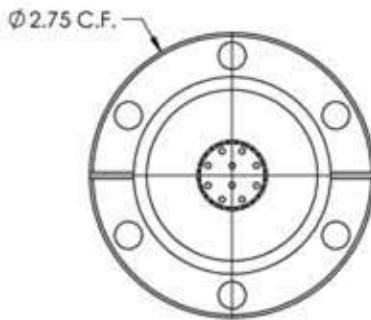


A0193-12-CF REV

5/2/2013



APPROVED

MS Series, Multipin Feedthrough, 10 Pins, 700 Volts, 10 Amps per Pin, 0.056" Dia Conductors w/ Air-side Connector, 2.75" Conflat Flange

TITLE:

MULTIPIN, 10 PIN, 700V, 10A, 275CF

PROPRIETARY AND CONFIDENTIAL

UNLESS OTHERWISE SPECIFIED:

MPF PRODUCTS INC.

ANY REPRODUCTION IN PART OR AS A WHOLE WITHOUT THE WRITTEN PERMISSION OF MPF PRODUCTS INC. IS PROHIBITED.

DIMENSIONS ARE IN INCHES TOLERANCES:



FINISH
CF FLANGE

DRAWN BY: JB DATE:

SIZE
A

DWG. NO.
A0193-12-CF

REV

5/2/2013

USED ON:

ANGULAR: MACH ± 1/2 °
TWO PLACE DECIMAL
THREE PLACE DECIMAL

±.030
±.015

DO NOT SCALE DRAWING

ENG APPR. JB

LAST SAVED DATE Thursday, April 11, 2013 6:57:44 AM



Engineering Assistance
Custom parts & modifications
Available on all parts

In-House Manufacturing
Manufactured on-site to
our high quality standards

Fast Turnaround
Quick shipping on stock parts
and quick design on custom parts

For Questions or to Order:

1-866-429-4224
MPFPI.com
sales@mpfpi.com