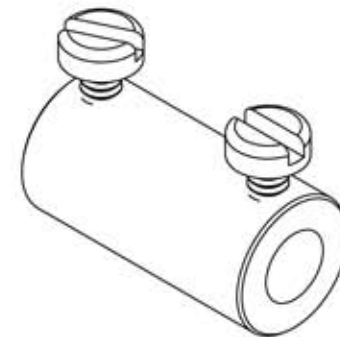
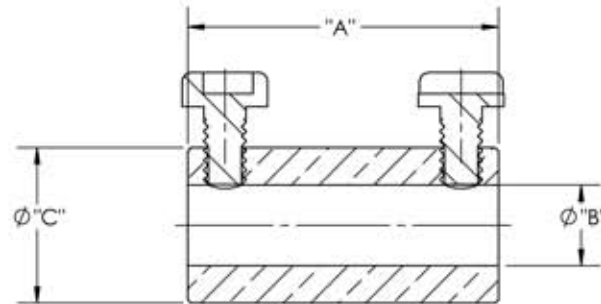


A0725

REV

11/18/2013



PART #	"A" ±.015	"Ø B" ±.002	"Ø C" ±.005
A0725-1-CN	.500	.059	.187
A0725-2-CN	.560	.120	.250
A0725-3-CN	.500	.067	.187
A0725-4-CN	.630	.134	.250
A0725-5-CN	.500	.041	.125
A0725-6-CN	1.00	.260	.500
A0725-7-CN	.560	.161	.350

Operating Temperature up to 150°C Air / 400°C Vacuum

APPROVED

In-line Connectors, Beryllium-Copper alloy, Package of 10

TITLE:

POWER CONNECTOR,
IN-LINE, Be-Cu

PROPRIETARY AND CONFIDENTIAL

UNLESS OTHERWISE SPECIFIED:

MPF PRODUCTS INC.

ANY REPRODUCTION IN PART OR AS A WHOLE WITHOUT THE WRITTEN PERMISSION OF MPF PRODUCTS INC. IS PROHIBITED.

DIMENSIONS ARE IN INCHES
TOLERANCES:



ANGULAR: MACH ± 1/2 °
TWO PLACE DECIMAL
THREE PLACE DECIMAL

±.030
±.015

FINISH
CONNECTOR

DRAWN BY
JB

DATE

SIZE
A

DWG. NO.
A0725

REV

11/18/2013

DO NOT SCALE DRAWING

ENG APPR.
JB

LAST SAVED DATE

Wednesday, November 13, 2013 2:34:55 PM



Engineering Assistance
Custom parts & modifications
Available on all parts

In-House Manufacturing
Manufactured on-site to
our high quality standards

Fast Turnaround
Quick shipping on stock parts
and quick design on custom parts

For Questions or to Order:

1-866-429-4224
MPFPI.com
sales@mpfpi.com