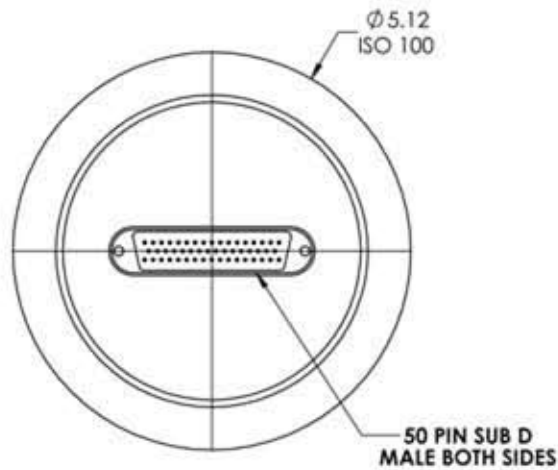


A1529-4-ISO

REV  
5/2/2013



APPROVED

Subminiature D-type Multipin Feedthrough, 50 Pins, 500 Volts, 5 Amps per Pin, 5.12" ISO Flange

TITLE:

MULTIPIN, TYPE-D, 500V, 5A  
50 PIN, ISO100

<b>PROPRIETARY AND CONFIDENTIAL</b>		<b>UNLESS OTHERWISE SPECIFIED:</b>		<b>MPF PRODUCTS INC.</b>					
ANY REPRODUCTION IN PART OR AS A WHOLE WITHOUT THE WRITTEN PERMISSION OF MPF PRODUCTS INC. IS PROHIBITED.		DIMENSIONS ARE IN INCHES TOLERANCES:			FINISH		SIZE	DWG. NO.	REV
USED ON:		ANGULAR: MACH ± 1/2 ° TWO PLACE DECIMAL THREE PLACE DECIMAL			ISO FLANGE		<b>A</b>	<b>A1529-4-ISO</b>	5/2/2013
		±.030 ±.015		DO NOT SCALE DRAWING		DRAWN BY			
						CHECKED			
						ENG APPR.	JB		
						LAST SAVED DATE		Thursday, May 02, 2013 9:08:01 AM	