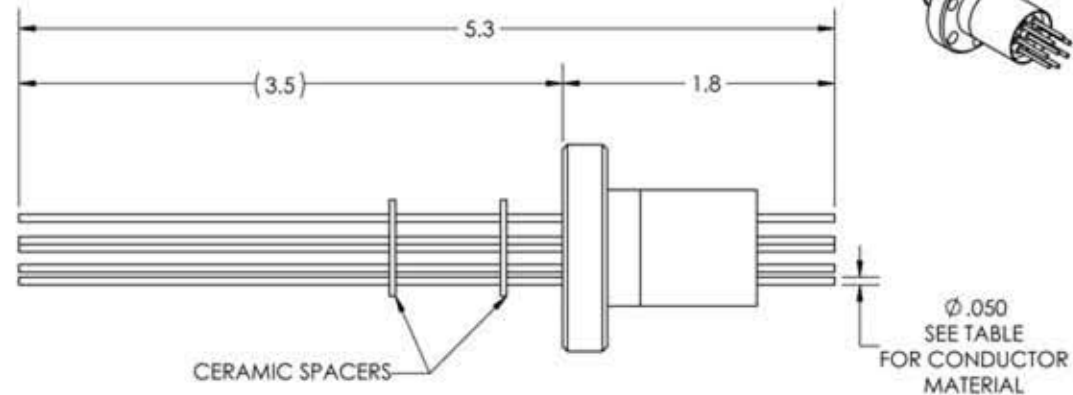
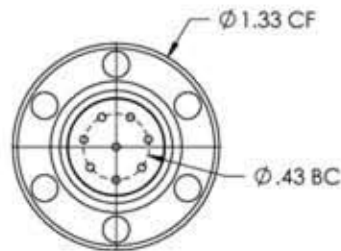


A0863

REV

8/21/2013



PART #	CONDUCTOR MATERIAL	AMPS
A0863-1-CF	KOVAR	7
A0863-2-CF	MOLYBDENUM	13
A0863-3-CF	OFHC COPPER	25
A0863-4-CF	NICKEL	8
A0863-5-CF	STN STL	1

APPROVED

Power Feedthrough, 1000 Volts, 8 Pins, 0.050" Conductors, 1.33" Conflat Flange

TITLE:

POWER, 1KV, 8PIN, 133CF

<b>PROPRIETARY AND CONFIDENTIAL</b>		<b>UNLESS OTHERWISE SPECIFIED:</b>		<b>MPF PRODUCTS INC.</b>			<b>SIZE</b>	<b>DWG. NO.</b>	<b>REV</b>	
ANY REPRODUCTION IN PART OR AS A WHOLE WITHOUT THE WRITTEN PERMISSION OF MPF PRODUCTS INC. IS PROHIBITED. USED ON:		DIMENSIONS ARE IN INCHES TOLERANCES: ANGULAR: MACH ± 1/2 ° TWO PLACE DECIMAL THREE PLACE DECIMAL			<b>FINISH</b>	<b>DRAWN BY</b>	<b>DATE</b>	<b>A</b>	<b>A0863</b>	8/21/2013
					<b>CONFLAT</b>	JB				
					<b>DO NOT SCALE DRAWING</b>	<b>ENG APPR.</b>	JB	<b>LAST SAVED DATE</b>	Tuesday, August 20, 2013 9:47:13 AM	