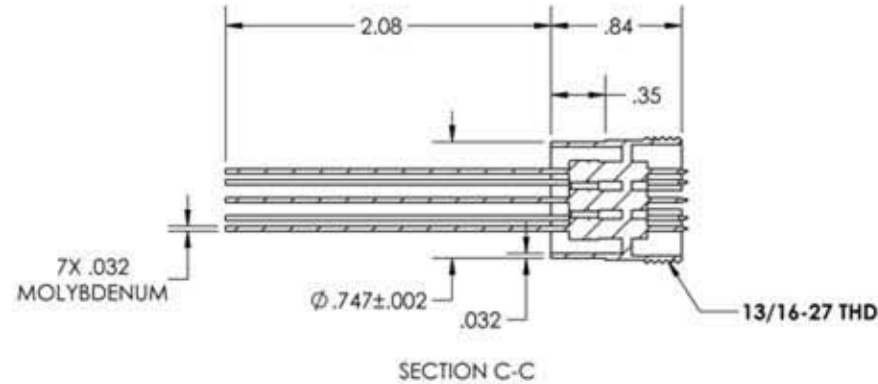
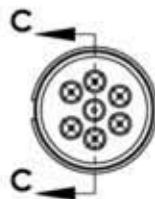


A1488-1-W

REV
5/2/2013



APPROVED

Multipin Feedthrough, 7 Pins, 500 Volts, 3.5 Amps per Pin, 0.032" Dia Conductors, 0.75" Dia Stainless Steel Weld Adapter

TITLE:

MULTIPIN, 7 PIN,
500V, 3.5A, WELD

PROPRIETARY AND CONFIDENTIAL

UNLESS OTHERWISE SPECIFIED:

MPF PRODUCTS INC.

ANY REPRODUCTION IN PART OR AS A WHOLE WITHOUT THE WRITTEN PERMISSION OF MPF PRODUCTS INC. IS PROHIBITED.

DIMENSIONS ARE IN INCHES TOLERANCES:



FINISH
WELDABLE

DRAWN BY

JB

DATE

SIZE
A

DWG. NO.

A1488-1-W

REV

5/2/2013

USED ON:

ANGULAR: MACH ± 1/2 °
TWO PLACE DECIMAL
THREE PLACE DECIMAL

±.030
±.015

DO NOT SCALE DRAWING

ENG APPR.

JB

LAST SAVED DATE

Thursday, April 11, 2013 7:08:24 AM