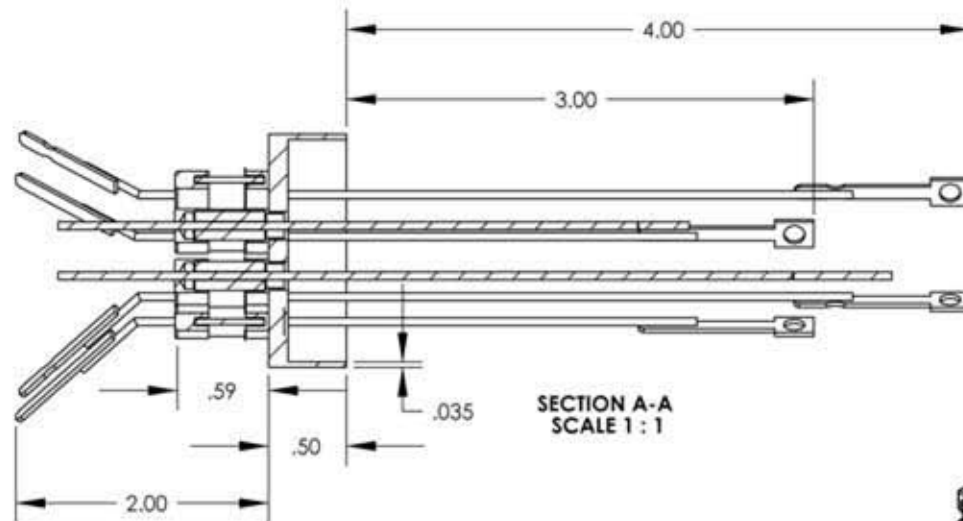
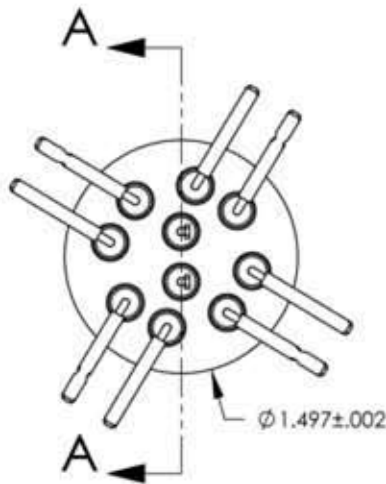
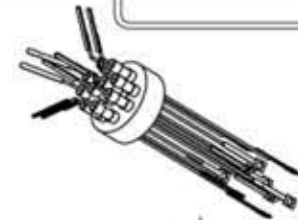


A0656-1-W

REV
1/30/2009

C



QUOTATION

TITLE:
**5 PAIR T/C WELDABLE
TYPE K**

PROPRIETARY AND CONFIDENTIAL

UNLESS OTHERWISE SPECIFIED:

MPF PRODUCTS INC.

ANY REPRODUCTION IN PART OR AS A WHOLE WITHOUT THE WRITTEN PERMISSION OF MPF PRODUCTS INC. IS PROHIBITED.

DIMENSIONS ARE IN INCHES
TOLERANCES:



NEXT ASSEMBLY USED ON

ANGULAR: MACH ± 1/2°
TWO PLACE DECIMAL
THREE PLACE DECIMAL

± .000
± .015

FINISH
WELDABLE

DRAWN BY
WJ

DATE
09/30/2009

CHECKED
JB

09/30/2009

ENG APPR.
WJ

09/30/2009

SIZE
A

DWG. NO.
A0656-1-W

REV
C

1/30/2009

LAST SAVED DATE

Wednesday, September 30, 2009 8:19:07 AM