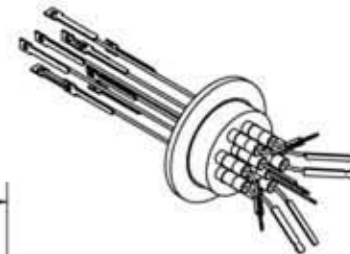
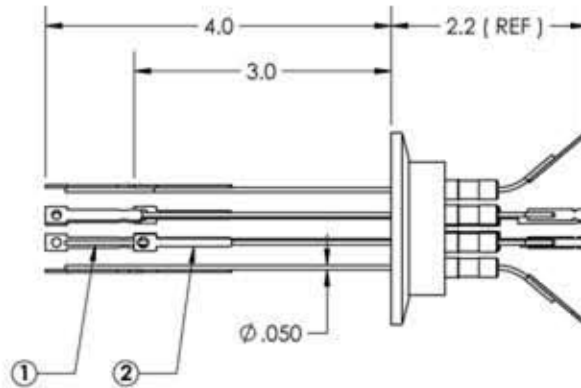
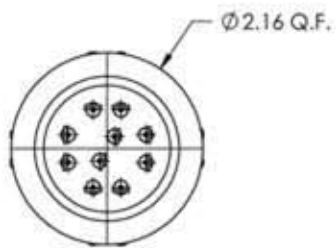


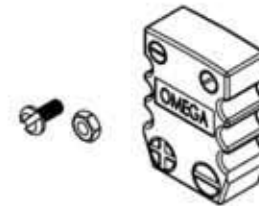
A0783

REV

5/28/2013



PART #	T/C TYPE	ITEM # 1 (-) LONG	ITEM # 2 (+) SHORT
A0783-1-QF	K	ALUMEL	CHROMEL
A0783-2-QF	J	CONSTANTAN	IRON
A0783-3-QF	C	ALLOY 426	ALLOY 405
A0783-4-QF	E	CONSTANTAN	CHROMEL



APPROVED

Thermocouple Feedthrough 5 Pairs, Miniature Connectors, 2.16 Quick Flange

TITLE:

THERMOCOUPLE 5 PAIR
CONNECTOR, QF40

PROPRIETARY AND CONFIDENTIAL		UNLESS OTHERWISE SPECIFIED:		MPF PRODUCTS INC.		
ANY REPRODUCTION IN PART OR AS A WHOLE WITHOUT THE WRITTEN PERMISSION OF MPF PRODUCTS INC. IS PROHIBITED.	DIMENSIONS ARE IN INCHES TOLERANCES: ANGULAR: MACH ± 1/2 ° TWO PLACE DECIMAL THREE PLACE DECIMAL		FINISH	DRAWN BY	JB	DATE
			QUICK FLANGE	CHECKED		
USED ON:			DO NOT SCALE DRAWING	ENG APPR.	JB	

SIZE	DWG. NO.	REV
A	A0783	
LAST SAVED DATE	Monday, May 13, 2013 8:56:55 AM	