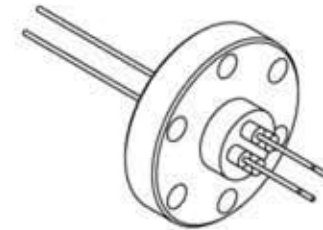
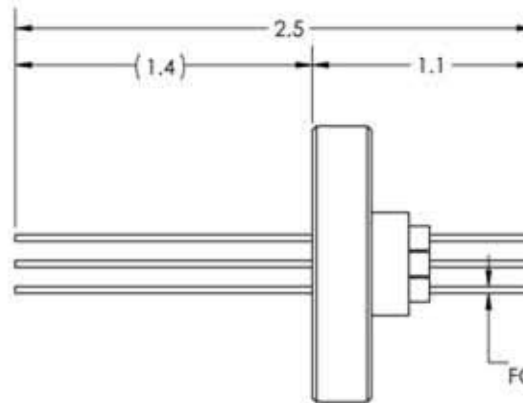
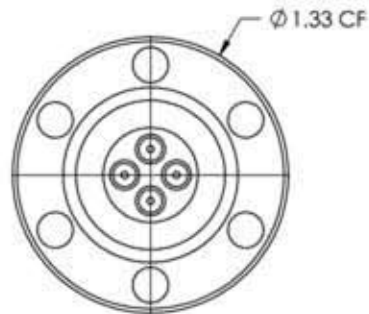


A0497

REV

8/21/2013



| PART # | CONDUCTOR MATERIAL | AMPS |
|------------|--------------------|------|
| A0497-1-CF | NICKEL | 5 |
| A0497-2-CF | STN STL | 1 |
| A0497-3-CF | COPPER | 15 |
| A0497-4-CF | MOLYBDENUM | 8 |

APPROVED

Power Feedthrough, 500 Volts, 4 Pins, 0.032" Conductors, 1.33" Conflat Flange

TITLE:

POWER, 500V, 4PIN, 133CF

PROPRIETARY AND CONFIDENTIAL UNLESS OTHERWISE SPECIFIED: MPF PRODUCTS INC.

ANY REPRODUCTION IN PART OR AS A WHOLE WITHOUT THE WRITTEN PERMISSION OF MPF PRODUCTS INC. IS PROHIBITED.

DIMENSIONS ARE IN INCHES TOLERANCES:



FINISH
CONFLAT

DRAWN BY: JB DATE:

SIZE
A

DWG. NO.
A0497

REV

8/21/2013

USED ON:

ANGULAR: MACH ± 1/2 °
TWO PLACE DECIMAL
THREE PLACE DECIMAL

±.030
±.015

DO NOT SCALE DRAWING

ENG APPR. JB

LAST SAVED DATE Tuesday, August 20, 2013 9:53:26 AM