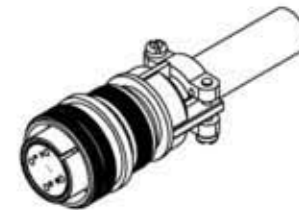
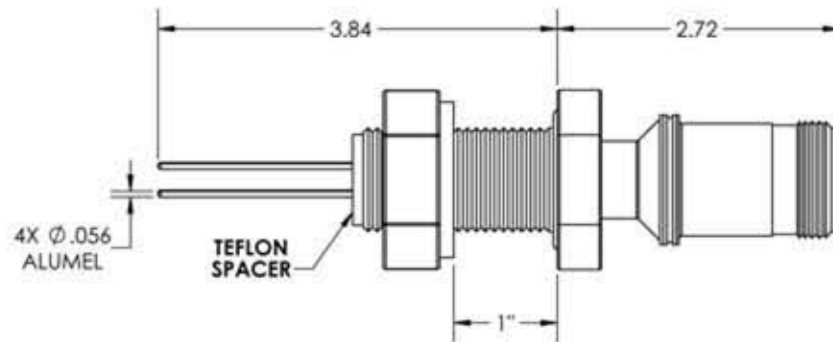
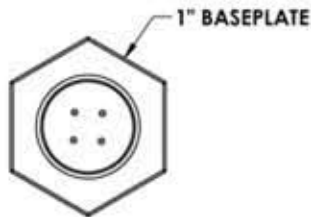
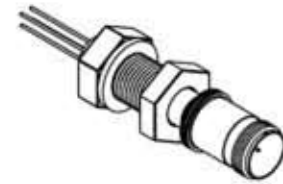


A2968-3-BP

REV
5/2/2013



APPROVED

MS Series, Multipin Feedthrough, 4 Pins, 700 Volts, 10 Amps per Pin, 0.056" Dia Conductors w/ Air-side Connector, 1.0" Baseplate Bolt

TITLE:

MULTIPIN, 4 PIN, 700V, 10A, BASEPLATE

PROPRIETARY AND CONFIDENTIAL

UNLESS OTHERWISE SPECIFIED:

MPF PRODUCTS INC.

ANY REPRODUCTION IN PART OR AS A WHOLE WITHOUT THE WRITTEN PERMISSION OF MPF PRODUCTS INC. IS PROHIBITED.

DIMENSIONS ARE IN INCHES TOLERANCES:



FINISH
BASEPLATE

DRAWN BY: JB DATE:

SIZE
A

DWG. NO.
A2968-3-BP

REV

5/2/2013

USED ON:

ANGULAR: MACH ± 1/2 °
TWO PLACE DECIMAL
THREE PLACE DECIMAL

±.030
±.015

DO NOT SCALE DRAWING

ENG APPR. JB

LAST SAVED DATE Thursday, April 11, 2013 7:03:08 AM