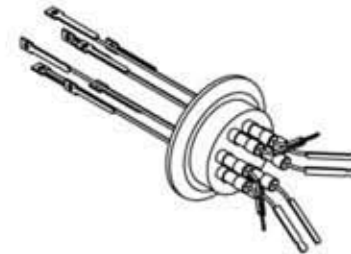
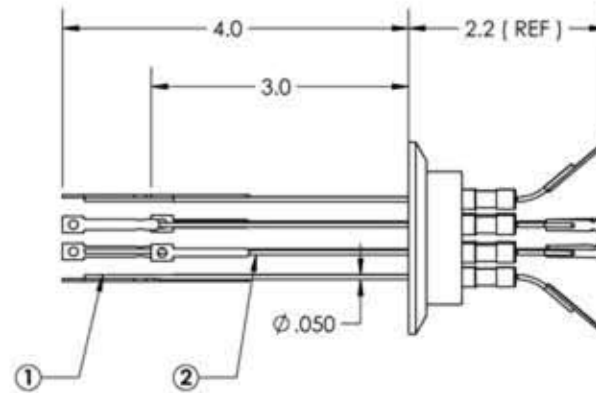
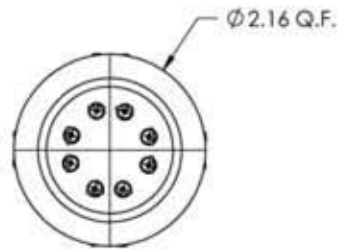


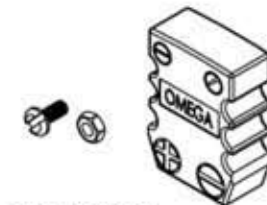
A0784

REV

5/28/2013



PART #	T/C TYPE	ITEM # 1 (-) LONG	ITEM # 2 (+) SHORT
A0784-1-QF	C	ALLOY 426	ALLOY 405
A0784-2-QF	E	CONSTANTAN	CHROMEL
A0784-3-QF	J	CONSTANTAN	IRON
A0784-4-QF	K	ALUMEL	CHROMEL



APPROVED

Thermocouple Feedthrough 4 Pairs, Miniature Connectors, 2.16 Quick Flange

TITLE:

THERMOCOUPLE 4 PAIR
CONNECTOR, QF40

PROPRIETARY AND CONFIDENTIAL		UNLESS OTHERWISE SPECIFIED:		MPF PRODUCTS INC.		
ANY REPRODUCTION IN PART OR AS A WHOLE WITHOUT THE WRITTEN PERMISSION OF MPF PRODUCTS INC. IS PROHIBITED. USED ON:	DIMENSIONS ARE IN INCHES TOLERANCES: ANGULAR: MACH ± 1/2 ° TWO PLACE DECIMAL THREE PLACE DECIMAL		FINISH	DRAWN BY	DATE	SIZE A
			QUICK FLANGE	JB		
			DO NOT SCALE DRAWING	CHECKED	ENG APPR.	REV 5/28/2013
				JB		LAST SAVED DATE Monday, May 13, 2013 8:54:12 AM