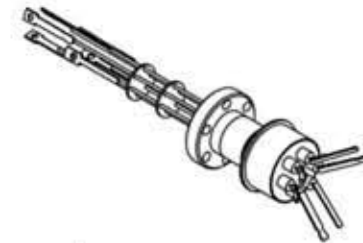
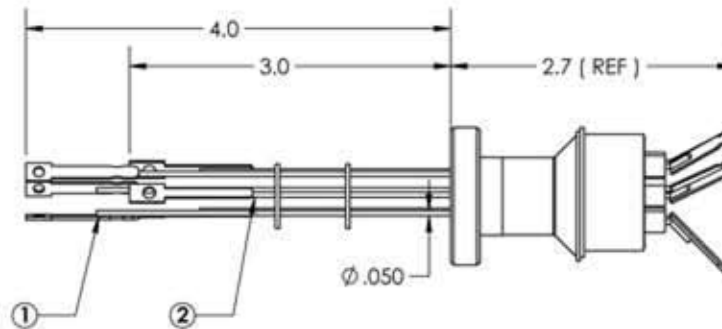
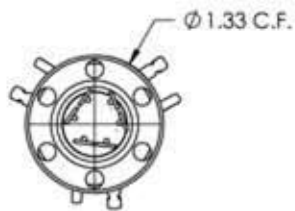
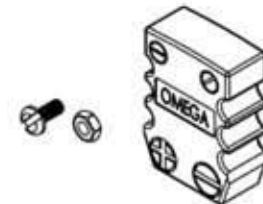


A0734

REV
5/28/2013



PART #	T/C TYPE	ITEM # 1 (-) LONG	ITEM # 2 (+) SHORT
A0734-1-CF	K	ALUMEL	CHROMEL
A0734-2-CF	J	CONSTANTAN	IRON
A0734-3-CF	E	CONSTANTAN	CHROMEL
A0734-4-CF	C	ALLOY 426	ALLOY 405



APPROVED

Thermocouple Feedthrough 3 Pairs, Miniature Connectors, 1.33" Conflat Flange

TITLE:

THERMOCOUPLE 3 PAIR
CONNECTOR, 133CF

PROPRIETARY AND CONFIDENTIAL		UNLESS OTHERWISE SPECIFIED:		MPF PRODUCTS INC.				
ANY REPRODUCTION IN PART OR AS A WHOLE WITHOUT THE WRITTEN PERMISSION OF MPF PRODUCTS INC. IS PROHIBITED.		DIMENSIONS ARE IN INCHES TOLERANCES:			FINISH	DRAWN BY	JB	DATE
USED ON:		ANGULAR: MACH ± 1/2 ° TWO PLACE DECIMAL THREE PLACE DECIMAL			CF FLANGE	CHECKED		
		±.030 ±.015		DO NOT SCALE DRAWING	ENG APPR.	JB		
				SIZE	DWG. NO.		REV	
				A	A0734		5/28/2013	
				LAST SAVED DATE		Tuesday, May 28, 2013 9:46:11 AM		