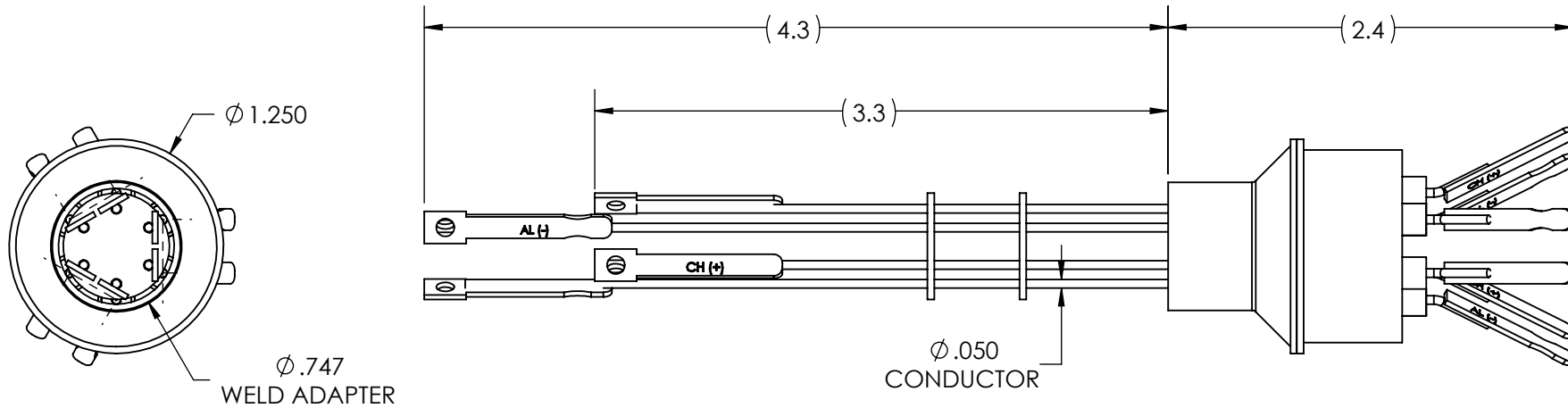
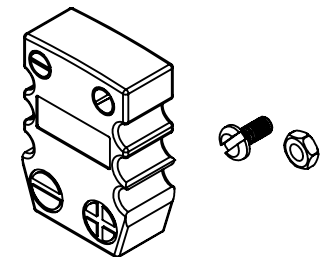


A0661

REV  
12/8/2017



PART #	T/C TYPE	ITEM # 1 (-) LONG	ITEM # 2 (+) SHORT
A0661-1-W	K	ALUMEL	CHROMEL
A0661-2-W	J	CONSTANTAN	IRON
A0661-3-W	E	CONSTANTAN	CHROMEL
A0661-4-W	C	ALLOY 426	ALLOY 405



APPROVED

Thermocouple Feedthrough 3 Pairs, Miniature Connectors, 0.75" Dia Stainless Steel Weld Adapter

TITLE:

THERMOCOUPLE 3 PAIR  
CONNECTOR, WELD

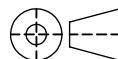
PROPRIETARY AND CONFIDENTIAL

UNLESS OTHERWISE SPECIFIED:

MPF PRODUCTS INC.

ANY REPRODUCTION IN PART OR AS A WHOLE WITHOUT THE WRITTEN PERMISSION OF MPF PRODUCTS INC. IS PROHIBITED.

DIMENSIONS ARE IN INCHES  
TOLERANCES:



ANGULAR: MACH ± 1/2 °  
TWO PLACE DECIMAL  
THREE PLACE DECIMAL

±.030  
±.015

FINISH  
WELDABLE

DRAWN BY

JB

DATE

CHECKED

ENG APPR.

JB

SIZE

A

DWG. NO.

A0661

REV

12/8/2017

LAST SAVED DATE

Friday, December 8, 2017 8:13:06 AM

DO NOT SCALE DRAWING