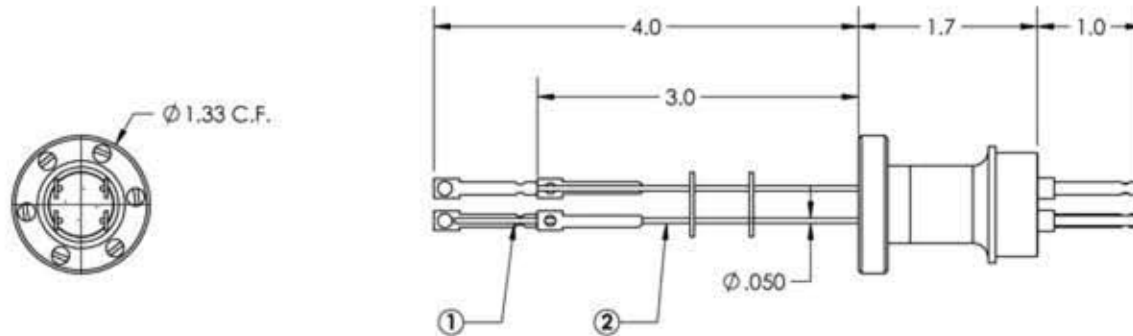
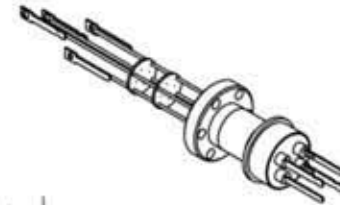


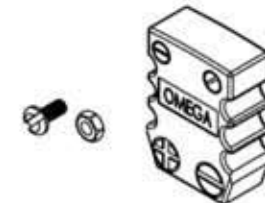
A0407

REV

5/28/2013



PART #	T/C TYPE	ITEM # 1 (-) LONG	ITEM # 2 (+) SHORT
A0407-1-CF	J	CONSTANTAN	IRON
A0407-2-CF	K	ALUMEL	CHROMEL
A0407-3-CF	C	ALLOY 426	ALLOY 405
A0407-4-CF	E	CONSTANTAN	CHROMEL



APPROVED

Thermocouple Feedthrough 2 Pairs, Miniature Connectors, 1.33" Conflat Flange

TITLE:

THERMOCOUPLE 2 PAIR
CONNECTOR, 133CF

PROPRIETARY AND CONFIDENTIAL

UNLESS OTHERWISE SPECIFIED:

MPF PRODUCTS INC.

ANY REPRODUCTION IN PART OR AS A WHOLE WITHOUT THE WRITTEN PERMISSION OF MPF PRODUCTS INC. IS PROHIBITED.

DIMENSIONS ARE IN INCHES
TOLERANCES:



FINISH
CF FLANGE

DRAWN BY: JB DATE:

SIZE
A

DWG. NO.
A0407

REV

5/28/2013

USED ON:

ANGULAR: MACH ± 1/2 °
TWO PLACE DECIMAL
THREE PLACE DECIMAL

±.030
±.015

DO NOT SCALE DRAWING

ENG APPR. JB

LAST SAVED DATE Thursday, May 09, 2013 9:31:28 AM