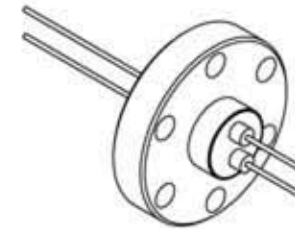
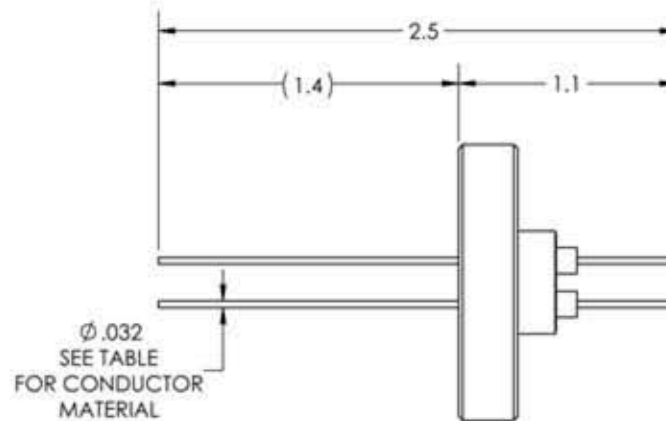
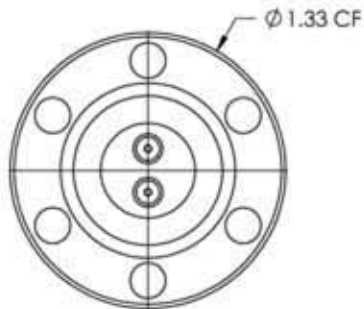


A0496

REV

8/21/2013



PART #	CONDCUTOR MATERIAL	AMPS
A0496-1-CF	NICKEL 200	5
A0496-2-CF	STN STL	1
A0496-3-CF	COPPER	15
A0496-4-CF	MOLYBDENUM	8

APPROVED

Power Feedthrough, 500 Volts, 2 Pins, 0.032" Conductors, 1.33" Conflat Flange

TITLE:

POWER, 500V, 2PIN, 133CF

PROPRIETARY AND CONFIDENTIAL		UNLESS OTHERWISE SPECIFIED:		MPF PRODUCTS INC.			SIZE	DWG. NO.	REV		
ANY REPRODUCTION IN PART OR AS A WHOLE WITHOUT THE WRITTEN PERMISSION OF MPF PRODUCTS INC. IS PROHIBITED.		DIMENSIONS ARE IN INCHES TOLERANCES:			FINISH	DRAWN BY	JB	DATE	A	A0496	8/21/2013
USED ON:		ANGULAR: MACH ± 1/2 ° TWO PLACE DECIMAL THREE PLACE DECIMAL			CONFLAT	CHECKED					
		±.030 ±.015		DO NOT SCALE DRAWING	ENG APPR.	JB					