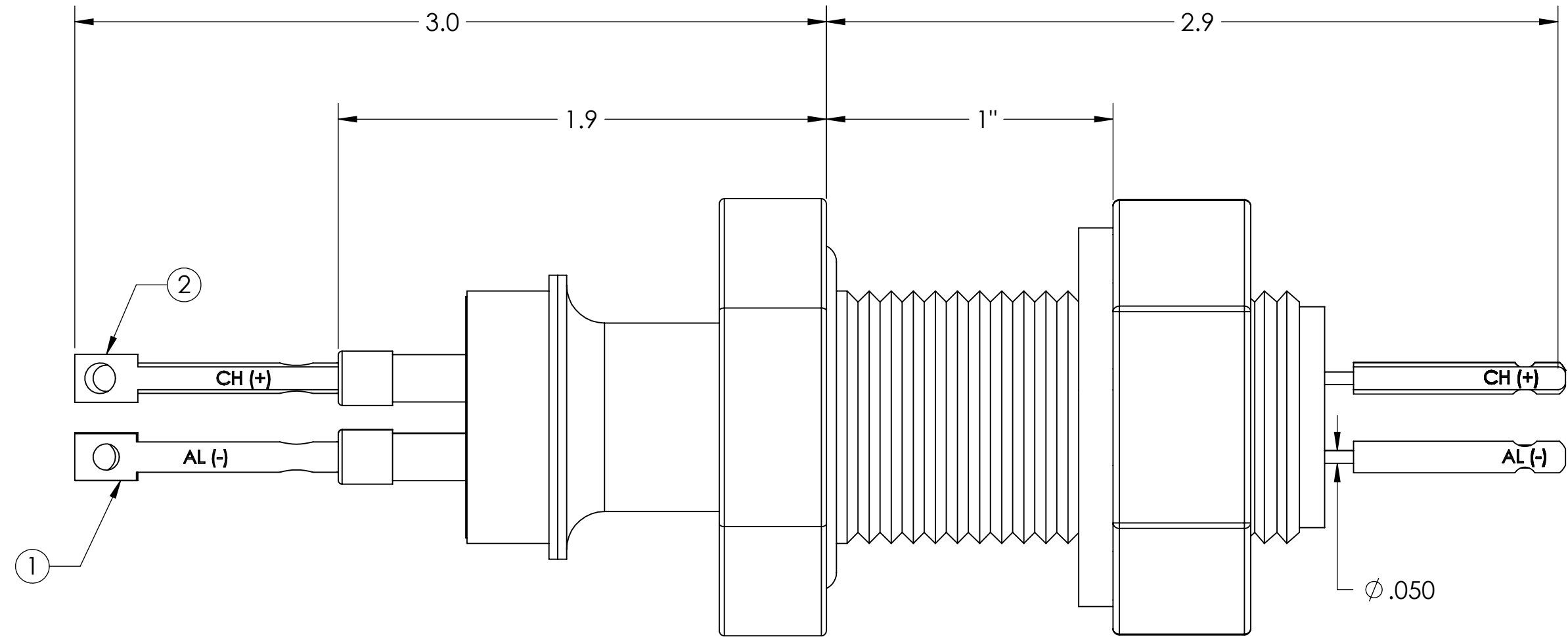
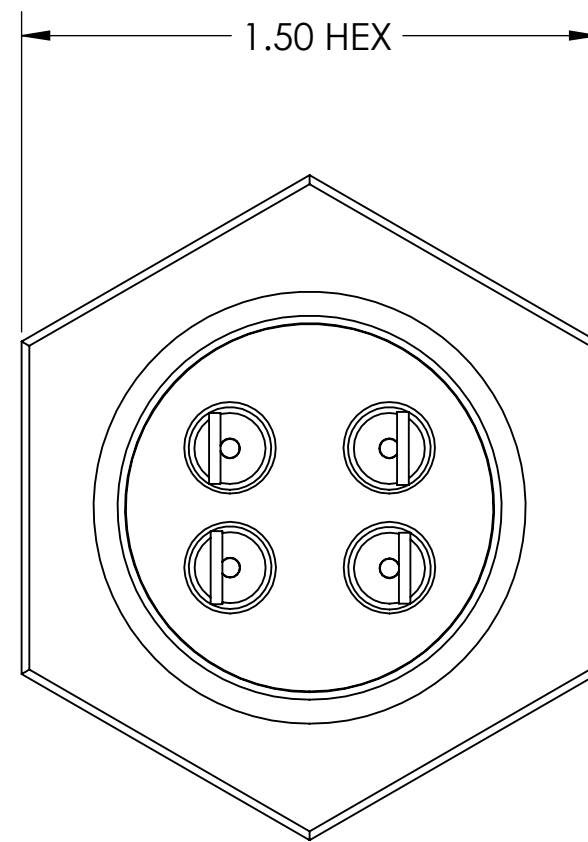


MPF PRODUCTS INC.



PART #	T/C TYPE	ITEM # 1 (-)	ITEM # 2 (+)
A0785-1-BP	J	ALUMEL	CHROMEL
A0785-2-BP	K	CONSTANTAN	IRON
A0785-3-BP	C	ALLOY 426	ALLOY 405
A0785-4-BP	E	CONSTANTAN	CHROMEL

THERMOCOUPLE FEEDTHROUGH 2 PAIR, MINIATURE CONNECTOR, 1.0" BASEPLATE BOLT

UNLESS OTHERWISE SPECIFIED:		QUOTATION #		N/A		APPROVED			
DIMENSIONS ARE IN INCHES TOLERANCES:		DRAWN	WJ	DATE	9/11/2015	MPF PRODUCTS INC.			
ANGULAR: MACH ± 1/2°		CHECKED	WJ	9/11/2015	ENG APPR.			WJ	9/11/2015
TWO PLACE DECIMAL ± .030		THIRD ANGLE:						TITLE:	
THREE PLACE DECIMAL ± .015		MATERIAL		APPLICATION		THERMOCOUPLE 2 PAIR CONNECTOR, BASEPLATE			
FINISH		BASEPLATE		SURFACE FINISH: 63 OR BETTER		DOWNLOADED FROM MPFPI.COM			
PLATING		UNLESS OTHERWISE SPECIFIED:		ALL DIAMETERS CONCENTRIC WITHIN .005. REMOVE ALL BURRS AND SHARP EDGES		DWG. NO. A0785			
				Tuesdays, September 15, 2015 2:28:26 PM		REV			