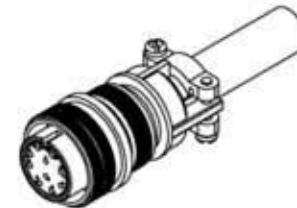
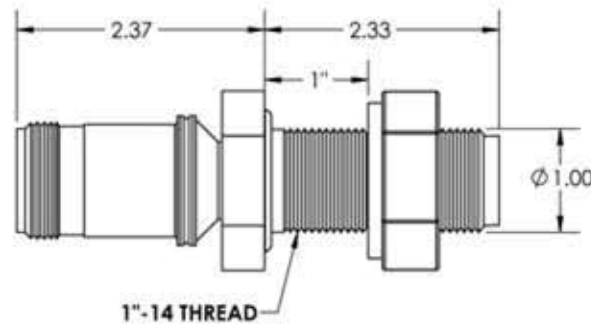
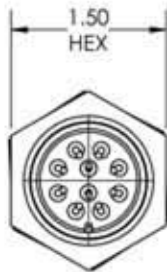


A3995-1-BP

REV
5/3/2013



APPROVED

MS Series, Multipin Feedthrough, 10 Pins, 700 Volts, 10 Amps per Pin, Double-Ended w/ Air & Vacuum-side Connectors, 1.0" Baseplate Bolt

TITLE:

MULTIPIN, 10 PIN, 700V, 10A
DOUBLE-ENDED, BASEPLATE

PROPRIETARY AND CONFIDENTIAL

UNLESS OTHERWISE SPECIFIED:

MPF PRODUCTS INC.

ANY REPRODUCTION IN PART OR AS A WHOLE WITHOUT THE WRITTEN PERMISSION OF MPF PRODUCTS INC. IS PROHIBITED.

DIMENSIONS ARE IN INCHES
TOLERANCES:



FINISH
BASEPLATE

DRAWN BY: JB DATE

SIZE
A

DWG. NO.
A3995-1-BP

REV

USED ON:

ANGULAR: MACH ± 1/2 °
TWO PLACE DECIMAL
THREE PLACE DECIMAL

±.030
±.015

DO NOT SCALE DRAWING

ENG APPR. JB

LAST SAVED DATE

Tuesday, April 23, 2013 9:40:43 AM

5/3/2013