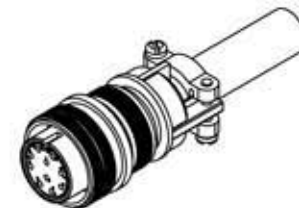
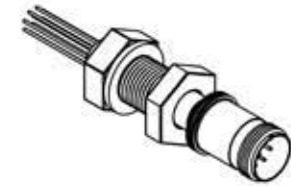
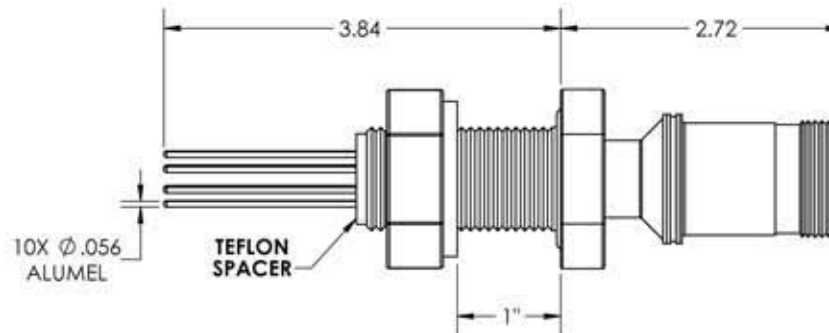
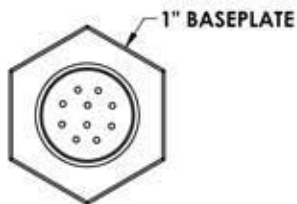


A2968-1-BP REV  
5/2/2013



APPROVED

MS Series, Multipin Feedthrough, 10 Pins, 700 Volts, 10 Amps per Pin, 0.056" Dia Conductors w/ Air-side Connector, 1.0" Baseplate Bolt

TITLE:  
MULTIPIN, 10 PIN, 700V, 10A, BASEPLATE

<b>PROPRIETARY AND CONFIDENTIAL</b>		<b>UNLESS OTHERWISE SPECIFIED:</b>		<b>MPF PRODUCTS INC.</b>						
ANY REPRODUCTION IN PART OR AS A WHOLE WITHOUT THE WRITTEN PERMISSION OF MPF PRODUCTS INC. IS PROHIBITED.		DIMENSIONS ARE IN INCHES TOLERANCES:			FINISH <b>BASEPLATE</b>	DRAWN BY JB	DATE	SIZE <b>A</b>	DWG. NO. <b>A2968-1-BP</b>	REV 5/2/2013
USED ON:		ANGULAR: MACH: 1/2" TWO PLACE DECIMAL THREE PLACE DECIMAL			±.030 ±.015	DO NOT SCALE DRAWING	ENG APPR. JB	LAST SAVED DATE	Thursday, May 02, 2013 9:50:15 AM	



Engineering Assistance  
Custom parts & modifications  
Available on all parts

In-House Manufacturing  
Manufactured on-site to  
our high quality standards

Fast Turnaround  
Quick shipping on stock parts  
and quick design on custom parts

For Questions or to Order:

1-866-429-4224  
MPFPI.com  
sales@mpfpi.com