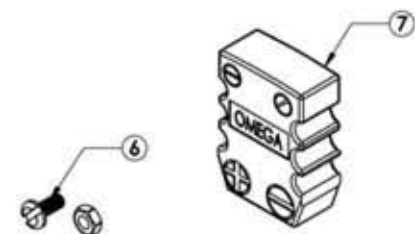
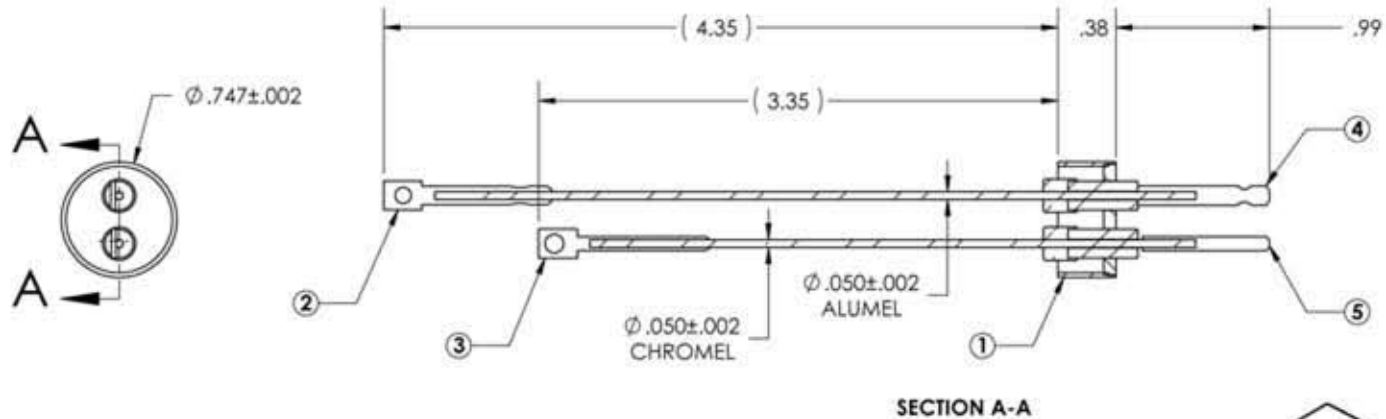
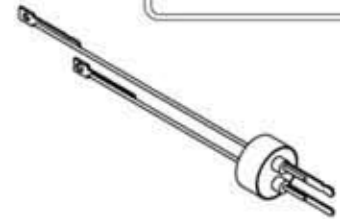


A0388

REV
4/11/2011



QUOTATION

ITEM NO.	DESCRIPTION	QTY.
1	SUB ASSEMBLY	1
6	BOLT AND NUT SET	2
7	CONNECTOR YELLOW	1
9	CONTACT ALUMEL	1
10	CONTACT (+) CHROMEL	1
11	CONTACT (-) ALUMEL	1
12	CONTACT (+) CHROMEL	1

TITLE:

SINGLE PAIR TYPE K

PROPRIETARY AND CONFIDENTIAL

UNLESS OTHERWISE SPECIFIED:

MPF PRODUCTS INC.

ANY REPRODUCTION IN PART OR AS A WHOLE WITHOUT THE WRITTEN PERMISSION OF MPF PRODUCTS INC. IS PROHIBITED.
NEXT ASSEMBLY USED ON

DIMENSIONS ARE IN INCHES
TOLERANCES:

ANGULAR: MACH ± 1/2 °
TWO PLACE DECIMAL ± .030
THREE PLACE DECIMAL ± .015



FINISH
WELDABLE

DO NOT SCALE DRAWING

DRAWN BY	DATE
JB	09/14/2007
CHECKED	DATE
WJ	09/14/2007
ENG APPR.	DATE
JB	09/14/2007

SIZE
A

DWG. NO.
A0388

REV

4/11/2011

LAST SAVED DATE Tuesday, November 30, 2010 4:18:44 PM