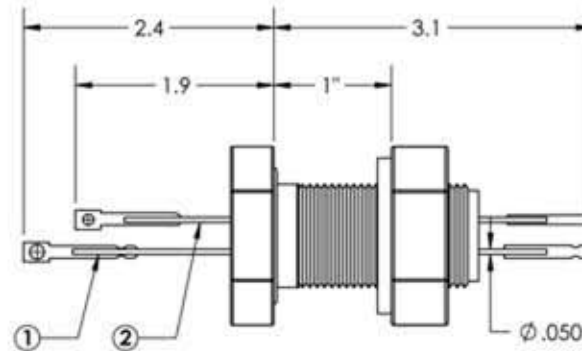
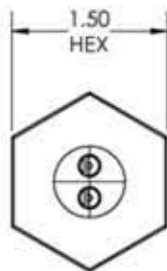
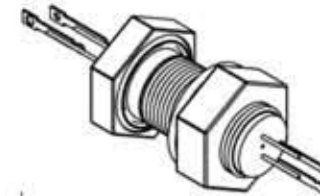


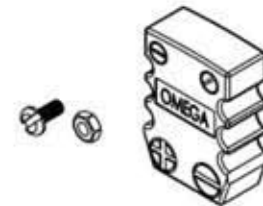
A0418

REV

5/28/2013



PART #	T/C TYPE	ITEM # 1 (-)	ITEM # 2 (+)
A0418-1-BP	J	CONSTANTAN	IRON
A0418-2-BP	K	ALUMEL	CHROMEL
A0418-3-BP	C	ALLOY 426	ALLOY 405
A0418-4-BP	E	CONSTANTAN	CHROMEL



APPROVED

Thermocouple Feedthrough 1 Pair, Miniature Connector, 1.0" Baseplate Bolt

TITLE:

THERMOCOUPLE 1 PAIR  
CONNECTOR, BASEPLATE

PROPRIETARY AND CONFIDENTIAL

UNLESS OTHERWISE SPECIFIED:

MPF PRODUCTS INC.

ANY REPRODUCTION IN PART OR AS A WHOLE WITHOUT THE WRITTEN PERMISSION OF MPF PRODUCTS INC. IS PROHIBITED.

DIMENSIONS ARE IN INCHES  
TOLERANCES:



FINISH  
BASEPLATE

DRAWN BY: JB DATE:

SIZE  
A

DWG. NO.  
A0418

REV

5/28/2013

USED ON:

ANGULAR: MACH ± 1/2 °  
TWO PLACE DECIMAL  
THREE PLACE DECIMAL

±.030  
±.015

DO NOT SCALE DRAWING

ENG APPR. JB

LAST SAVED DATE Thursday, May 09, 2013 9:54:32 AM