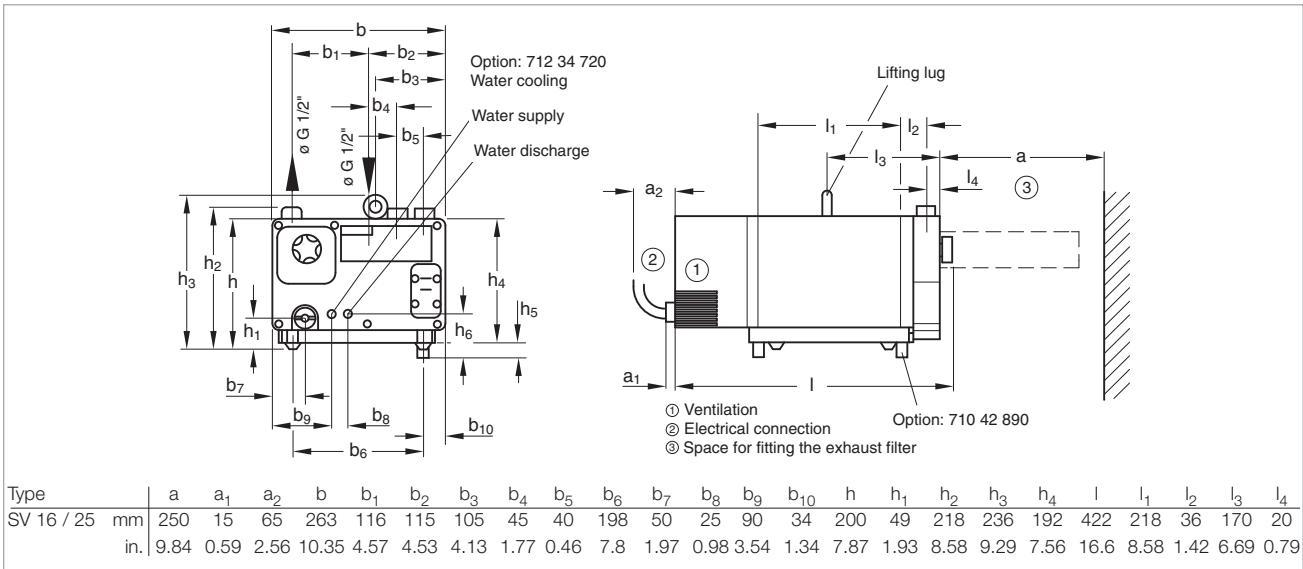


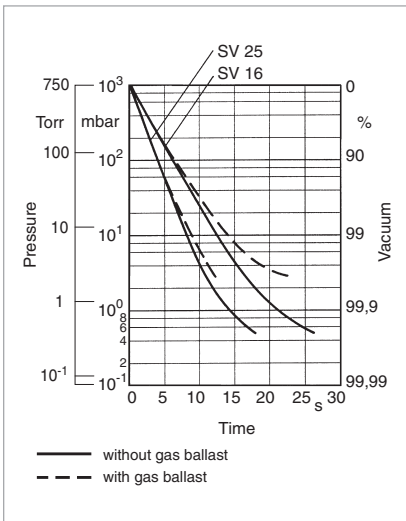
SOGEVAC SV 16 and SV 25



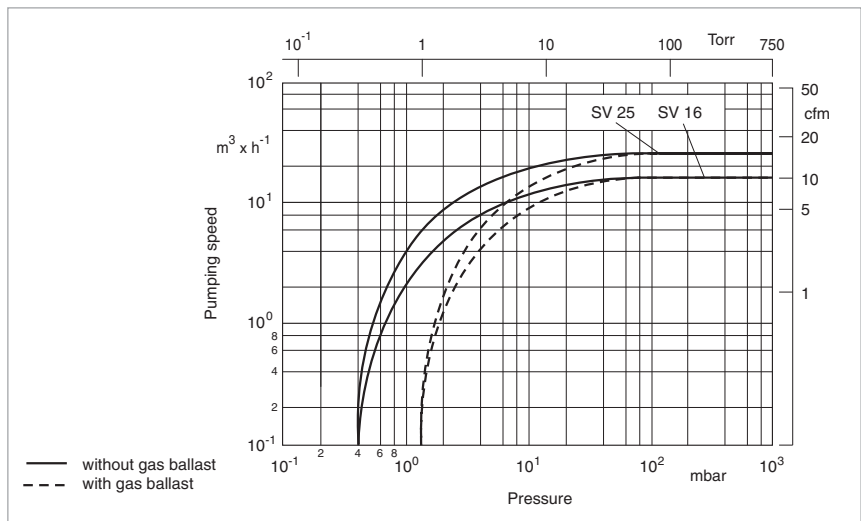
SOGEVAC SV 25



Dimensional drawing for the SOGEVAC SV 16 and SV 25



Pump-down characteristics of a 10 l vessel at 50 Hz



Pumping speed characteristics of the SOGEVAC SV 16 and SV 25 at 50 Hz (60 Hz curves at the end of the section)

Technical Data

		SOGEVAC SV 16		SOGEVAC SV 25	
		50 Hz	60 Hz	50 Hz	60 Hz
Nominal speed ¹⁾	m ³ x h ⁻¹ (cfm)	16.0 (9.4)	19.0 (11.0)	25.0 (14.7)	29.0 (17.0)
Pumping speed ¹⁾	m ³ x h ⁻¹ (cfm)	14.5 (8.5)	17.0 (10.0)	22.5 (13.3)	25.5 (15.0)
Ultimate partial pressure without gas ballast ¹⁾	mbar (Torr)	≤ 0.5 (≤ 0.4)	≤ 0.5 (≤ 0.4)	≤ 0.5 (≤ 0.4)	≤ 0.5 (≤ 0.4)
Ultimate total pressure with gas ballast ¹⁾	mbar (Torr)	≤ 1.5 (≤ 1.1)	≤ 1.5 (≤ 1.1)	≤ 1.5 (≤ 1.1)	≤ 1.5 (≤ 1.1)
Water vapor tolerance ¹⁾	mbar (Torr)	40 (30)	40 (30)	40 (30)	40 (30)
Water vapor capacity	kg x h ⁻¹ (qt/hr)	0.3 (0.32)	0.3 (0.32)	0.45 (0.48)	0.45 (0.48)
Oil capacity	l (qt)	1.8 (2.0)	1.8 (2.0)	1.8 (2.0)	1.8 (2.0)
Noise level ²⁾	dB(A)	59	59	59	59
Admissible ambient temperature	°C (°F)	12 to 40 (54 to 104)	12 to 40 (54 to 104)	12 to 40 (54 to 104)	12 to 40 (54 to 104)
Motor power	kW (hp)	0.55 (1.0)	0.75 (1.5)	0.75 (1.5)	0.9 (1.2)
Nominal speed	min ⁻¹ (rpm)	1500 (1500)	1800 (1800)	1500 (1500)	1800 (1800)
Type of protection	IP	23	23	23	23
Weight (with oil filling)	kg (lbs)	23.0 (50.7)	23.0 (50.7)	24.0 (52.9)	24.0 (52.9)
Dimensions (L x W x H)	mm (in.)	422 x 263 x 236 (16.61 x 10.35 x 9.29)	422 x 263 x 236 (16.61 x 10.35 x 9.29)	422 x 263 x 236 (16.61 x 10.35 x 9.29)	422 x 263 x 236 (16.61 x 10.35 x 9.29)
Connections, Intake and Exhaust ³⁾ (Inside thread)	G	1/2"	1/2"	1/2"	1/2"

Ordering Information

	SOGEVAC SV 16 50 Hz/60 Hz	SOGEVAC SV 25 50 Hz/60 Hz
SOGEVAC SV 16/SV 25 ³⁾ with three-phase motor and integrated gas ballast valve 230/400 V, 50 Hz	Part No. 109 01	Part No. 109 03
208 - 230/460 V, 60 Hz	Part No. 109 80	Part No. 109 90
200 V, 50/60 Hz	Part No. 955 01	Part No. 955 03
with single-phase motor and integrated gas ballast valve 100 V, 50 Hz	Part No. 955 30	Part No. 955 32
230 V, 50 Hz	Part No. 109 00	Part No. 109 02
115 V, 60 Hz	Part No. 109 81	Part No. 109 91
230 V, 60 Hz	Part No. 109 82	Part No. 109 92
Other voltages/frequencies ⁴⁾	upon request	upon request
Filling with special oil	upon request	upon request

Accessories

Water cooling kit ^{4), 5)}	Part No. 712 34 720	Part No. 712 34 720
Oil level monitor ^{4), 5)}	Part No. 711 19 108	Part No. 711 19 108
Exhaust filter gauge, mechanical ^{4), 5)}	Part No. 951 91	Part No. 951 91

Spare Parts

Exhaust filter cartridge AFE SV16/25 BR2	Part No. 712 32 023	Part No. 712 32 023
Vanes (set of 3 pieces)	Part No. 712 34 370	Part No. 712 34 370
Set of gaskets NBR (standard)	Part No. 971 97 152	Part No. 971 97 152
Set of gaskets FPM (FKM)	Part No. 712 30 010	Part No. 712 30 010
Repair kit complete	Part No. 712 41 270	Part No. 712 41 270
Pump module complete	Part No. 712 32 230	Part No. 712 32 220

¹⁾ To DIN 28 400 and following numbers

²⁾ Operated at the ultimate pressure without gas ballast, free-field measurement at a distance of 1 m (3.5 ft)

³⁾ European and Japanese pumps have BSP, North and South American versions have NPT

⁴⁾ Please indicate when ordering a pump

⁵⁾ Can be retrofitted