

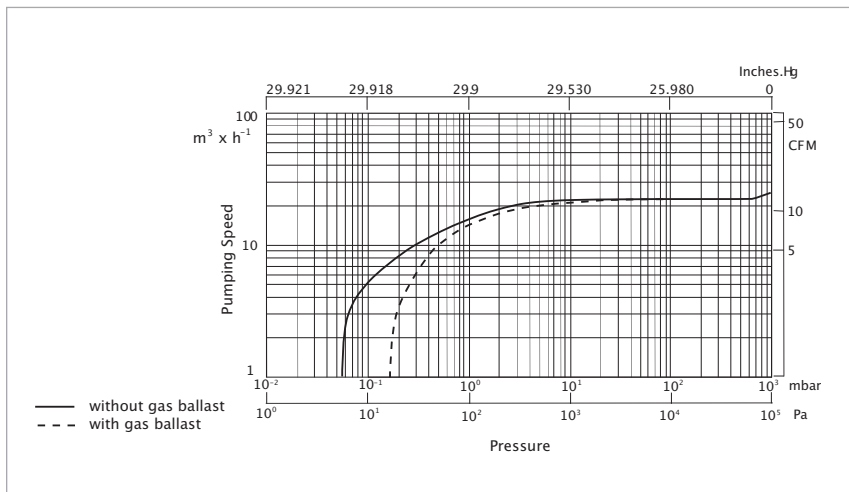
SOGEVAC SV 28 BI



SOGEVAC SV 28 BI

Advantages to the User

- 1 decade better ultimate pressure compared to SOGEVAC SV 28 B
- Integrated exhaust filter
- Integrated oil recovery system and anti suckback valve
- Extremely low noise level
- High reliability
- Variant concept
- Customer specific configurations
- High pumping speed stability at low pressure
- 2 oil casings (0.5 and 1.5 l) are available. The bigger oil volume allows longer oil life times



Pumping speed characteristics of the SOGEVAC SV 28 BI at 50 Hz
(60 Hz curves at the end of the section)

Typical Applications

- Mass spectrometry
- Lyophilisation
- Laboratory
- Refrigeration and air-conditioning
- Lamps and bulbs
- ... and more

Technical Data

SOGEVAC SV 28 BI

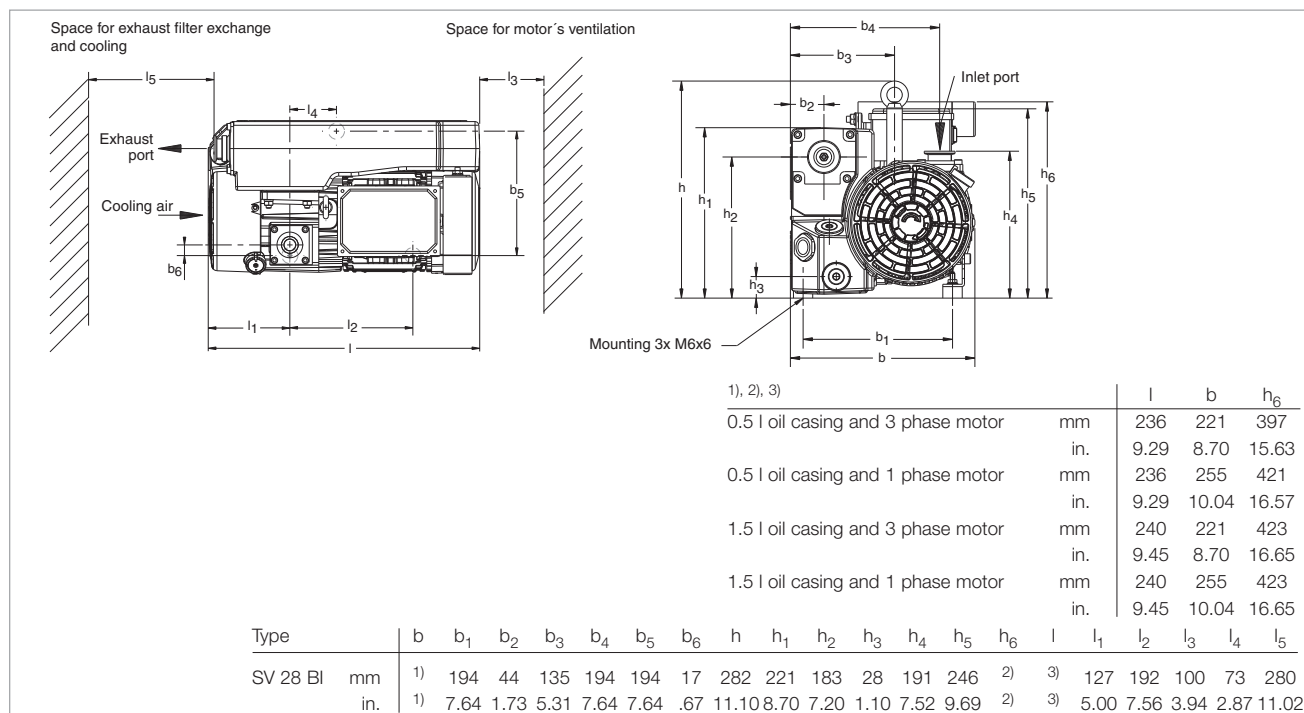
		50 Hz	60 Hz
Nominal pumping speed	m ³ x h ⁻¹ (cfm)	25 (14.8)	30 (17.8)
Pumping speed (according to PNEUROP)	m ³ x h ⁻¹ (cfm)	23 (13.6)	27 (15.9)
Ultimate partial pressure without gas ballast	mbar (Torr)	≤ 0.05 (≤ 0.038)	≤ 0.05 (≤ 0.038)
Ultimate total pressure with gas ballast	mbar (Torr)	≤ 0.5 (≤ 0.38)	≤ 0.5 (≤ 0.38)
Water vapor tolerable load with gas ballast	mbar (Torr)	10.0 (7.6)	10.0 (7.6)
Noise level (according to DIN 466535)			
3 ~ motor	dB(A)	54	57
1 ~ motor	dB(A)	57	60
Motor power			
3 ~ motor	kW (hp)	0.90 (1.2)	1.1 (1.5)
1 ~ motor	kW (hp)	0.75 (1.0)	0.9 (1.2)
Mains voltage and frequency			
3 ~ motor	V	see "Ordering Information"	see "Ordering Information"
1 ~ motor	V	see "Ordering Information"	see "Ordering Information"
Rated rotational speed	min ⁻¹ (rpm)	1500 (1500)	1800 (1800)
Type of protection and isolation class			
3 ~ motor	IP	55-F	55-F
1 ~ motor	IP	55-F	55-F
Leak rate	mbar x l x s ⁻¹	≤ 1 x 10 ⁻³	≤ 1 x 10 ⁻³
Oil capacity GS 32 (depending on Part No.)	l (qt)	0.5 (0.53) or 1.5 (1.59)	0.5 (0.53) or 1.5 (1.59)
Net weight (with oil filling) dependant of oil casing and motor	kg (lbs)	34 (75) to 37 (82)	34 (75) to 37 (82)
Connections			
intake	DN	25 ISO-KF	25 ISO-KF
exhaust	DN	25 ISO-KF	25 ISO-KF

SOGEVAC SV 28 BI

50/60 Hz

Ordering Information

SOGEVAC SV 28 BI with wide range three-phase motor 170 - 253 / 294 - 440 V, 50 Hz and 170 - 292 / 294 - 506 V, 60 Hz without gas ballast, with 0.5 l oil casing	Part No. 960 270
with gas ballast, with 0.5 l oil casing	Part No. 960 271
without gas ballast, with 1.5 l oil casing	Part No. 960 272
with gas ballast, with 1.5 l oil casing	Part No. 960 273
with wide range three-phase motor 180 - 264 V, 50/60 Hz with gas ballast, with 0.5 l oil casing	Part No. 960 276
with gas ballast, with 1.5 l oil casing	Part No. 960 277
with single-phase motor (US and Japan) 100 V + 10 %/- 15 %, 50/60 Hz and 115 V + 10 %/- 15 %, 60 Hz with gas ballast, with 1.5 l oil casing	Part No. 960 278
Other voltages/frequencies	upon request
Filling with special oil	upon request
Exhaust filter cartridge AFE SV10B/16B	Part No. 714 16 340
Repair kit	Part No. 971 462 690
Set of seals FPM (FKM)	Part No. 971 462 670
Service kit	Part No. 971 427 660
Generator kit three-phase	Part No. 971 462 620
single-phase	Part No. 971 462 630
Maintenance kit	Part No. 971 462 810
For further accessories on pump inlet see Chapter "Accessories for TRIVAC" in the Product Section C01 "TRIVAC"	



Dimensional drawing for the SOGEVAC SV 28 BI with standard single-phase motor, European version (dimensions for three-phase motor smaller)